



IEC 61784-3-18

Edition 1.2 2021-04  
CONSOLIDATED VERSION

# INTERNATIONAL STANDARD

# NORME INTERNATIONALE



---

**Industrial communication networks – Profiles –  
Part 3-18: Functional safety fieldbuses – Additional specifications for CPF 18**

**Réseaux de communication industriels – Profils –  
Partie 3-18: Bus de terrain de sécurité fonctionnelle – Spécifications  
supplémentaires pour CPF 18**

INTERNATIONAL  
ELECTROTECHNICAL  
COMMISSION

COMMISSION  
ELECTROTECHNIQUE  
INTERNATIONALE

---

ICS 25.040.40; 35.100.05

ISBN 978-2-8322-9767-4

**Warning! Make sure that you obtained this publication from an authorized distributor.  
Attention! Veuillez vous assurer que vous avez obtenu cette publication via un distributeur agréé.**

# REDLINE VERSION

# VERSION REDLINE



**Industrial communication networks – Profiles –  
Part 3-18: Functional safety fieldbuses – Additional specifications for CPF 18**

**Réseaux de communication industriels – Profils –  
Partie 3-18: Bus de terrain de sécurité fonctionnelle – Spécifications  
supplémentaires pour CPF 18**

## CONTENTS

FOREWORD.....	5
0 Introduction .....	7
0.1 General.....	7
0.2 Patent declaration .....	11
INTRODUCTION to Amendment 2 .....	11
1 Scope.....	12
2 Normative references .....	12
3 Terms, definitions, symbols, abbreviated terms and conventions .....	13
3.1 Terms and definitions .....	13
3.1.1 Common terms and definitions .....	13
3.1.2 CPF 18: Additional terms and definitions .....	17
3.2 Symbols and abbreviated terms.....	18
3.2.1 Common symbols and abbreviated terms .....	18
3.2.2 CPF 18: Additional symbols and abbreviated terms .....	19
3.3 Conventions .....	19
4 Overview of FSCP 18/1 (SafetyNET p™).....	21
4.1 General.....	21
4.2 FSCP 18/1 .....	21
5 General .....	22
5.1 External documents providing specifications for the profile.....	22
5.2 Safety functional requirements .....	22
5.3 Safety measures .....	23
5.4 Safety communication layer structure .....	23
5.5 Relationships with FAL (and DLL, PhL) .....	24
5.5.1 General .....	24
5.5.2 Data Types.....	24
6 Safety communication layer services.....	24
6.1 General elements .....	24
6.1.1 General .....	24
6.1.2 Safety object dictionary .....	25
6.1.3 Safety process data object (SPDO) .....	25
6.1.4 Safety heartbeat (SHB).....	25
6.1.5 Safety delay monitoring (SDM) .....	25
6.2 Communication relation.....	25
7 Safety communication layer protocol .....	27
7.1 Safety PDU format .....	27
7.1.1 General .....	27
7.1.2 Safety process data objects (SPDO).....	27
7.1.3 Safety heartbeat (SHB).....	29
7.1.4 Safety PDUs embedded in a Type 22 PDU .....	31
7.2 Safety communication layer management (SALMT).....	32
7.3 Safety process data communication .....	34
7.4 Safety heartbeat.....	36
7.5 Delay monitoring .....	37
8 Safety communication layer management.....	38

8.1	Parameter handling .....	38
8.2	Safety object dictionary .....	38
8.2.1	General .....	38
8.2.2	Communication profile section .....	39
8.2.3	Standardized device profile section .....	55
9	System requirements .....	55
9.1	Indicators and switches .....	55
9.1.1	Indicator states and flash rates .....	55
9.1.2	Indicators .....	56
9.1.3	Switches .....	56
9.2	Installation guidelines .....	56
9.3	Safety function response time .....	56
9.3.1	General .....	56
9.3.2	Determination of FSCP 18/1 time expectation behavior .....	57
9.3.3	Calculation of the worst case safety function response time .....	58
9.4	Duration of demands .....	58
9.5	Constraints for calculation of system characteristics .....	58
9.5.1	Safety related constraints .....	58
	<del>9.5.2 Probabilistic considerations .....</del>	<del>58</del>
9.6	Maintenance .....	60
9.7	Safety manual .....	60
10	Assessment .....	61
	Annex A (informative) Additional information for functional safety communication profiles of CPF 18 .....	62
	A.1 Hash function calculation .....	62
	A.2 Void .....	65
	Annex B (informative) Information for assessment of the functional safety communication profiles of CPF 18 .....	66
	Bibliography .....	67
	Figure 1 – Relationships of IEC 61784-3 with other standards (machinery) .....	8
	Figure 2 – Relationships of IEC 61784-3 with other standards (process) .....	10
	Figure 3 – FSCP 18/1 system .....	21
	Figure 4 – FSCP 18/1 software architecture .....	24
	Figure 5 – SPDO interaction model .....	26
	Figure 6 – SHB interaction model .....	26
	Figure 7 – Safety process data object structure .....	27
	Figure 8 – Safety heartbeat request structure .....	29
	Figure 9 – Safety heartbeat response structure .....	30
	Figure 10 – Safety PDU for FSCP 18/1 embedded in a Type 22 CDC data section .....	32
	Figure 11 – SALMT state machine .....	33
	Figure 12 – RxSPDO state machine .....	35
	Figure 13 – Heartbeat procedure .....	36
	Figure 14 – Delay measurement principle .....	37
	Figure 15 – Parameter handling .....	38
	Figure 16 – Safety response time components .....	57

Figure 17 – Considered data fields for message size calculation..... 59

~~Figure 18 – Residual error rate.....~~

Table 1 – Object definition ..... 20

Table 2 – Safety PDU element definition..... 20

Table 3 – Communication errors and detection measures ..... 23

Table 4 – SPDO PDU structure ..... 28

Table 5 – SHB request PDU structure ..... 29

Table 6 – SHB response PDU structure ..... 30

Table 7 – SHB safety communication layer state encoding ..... 31

Table 8 – SALMT commands ..... 32

Table 9 – System states of SALMT state machine..... 33

Table 10 – State transitions SALMT state machine ..... 34

Table 11 – System states of RxSPDO state machine ..... 35

Table 12 – State transitions RxSPDO state machine..... 35

Table 13 – Timeouts ..... 36

Table 14 – Safety object dictionary structure ..... 38

Table 15 – Objects of communication section ..... 39

Table 16 – Device type ..... 40

Table 17 – Safety ID ..... 41

Table 18 – Safety consumer heartbeat entry..... 42

Table 19 – Safety consumer heartbeat..... 43

Table 20 – Safety producer heartbeat parameter ..... 44

Table 21 – Safety bus cycle times..... 47

Table 22 – SPDO timeout tolerance ..... 48

Table 23 – Receive SPDO communication parameter ..... 48

Table 24 – Transmit SPDO communication parameter ..... 51

Table 25 – Mapping format ..... 54

Table 26 – Receive SPDO mapping parameter ..... 54

Table 27 – Transmit SPDO mapping parameter ..... 55

Table 28 – Indicator states definiton ..... 56

Table 29 – STATUS indicator states ..... 56

INTERNATIONAL ELECTROTECHNICAL COMMISSION

---

**INDUSTRIAL COMMUNICATION NETWORKS –  
PROFILES**

**Part 3-18: Functional safety fieldbuses –  
Additional specifications for CPF 18**

FOREWORD

- 1) The International Electrotechnical Commission (IEC) is a worldwide organization for standardization comprising all national electrotechnical committees (IEC National Committees). The object of IEC is to promote international co-operation on all questions concerning standardization in the electrical and electronic fields. To this end and in addition to other activities, IEC publishes International Standards, Technical Specifications, Technical Reports, Publicly Available Specifications (PAS) and Guides (hereafter referred to as “IEC Publication(s)”). Their preparation is entrusted to technical committees; any IEC National Committee interested in the subject dealt with may participate in this preparatory work. International, governmental and non-governmental organizations liaising with the IEC also participate in this preparation. IEC collaborates closely with the International Organization for Standardization (ISO) in accordance with conditions determined by agreement between the two organizations.
- 2) The formal decisions or agreements of IEC on technical matters express, as nearly as possible, an international consensus of opinion on the relevant subjects since each technical committee has representation from all interested IEC National Committees.
- 3) IEC Publications have the form of recommendations for international use and are accepted by IEC National Committees in that sense. While all reasonable efforts are made to ensure that the technical content of IEC Publications is accurate, IEC cannot be held responsible for the way in which they are used or for any misinterpretation by any end user.
- 4) In order to promote international uniformity, IEC National Committees undertake to apply IEC Publications transparently to the maximum extent possible in their national and regional publications. Any divergence between any IEC Publication and the corresponding national or regional publication shall be clearly indicated in the latter.
- 5) IEC itself does not provide any attestation of conformity. Independent certification bodies provide conformity assessment services and, in some areas, access to IEC marks of conformity. IEC is not responsible for any services carried out by independent certification bodies.
- 6) All users should ensure that they have the latest edition of this publication.
- 7) No liability shall attach to IEC or its directors, employees, servants or agents including individual experts and members of its technical committees and IEC National Committees for any personal injury, property damage or other damage of any nature whatsoever, whether direct or indirect, or for costs (including legal fees) and expenses arising out of the publication, use of, or reliance upon, this IEC Publication or any other IEC Publications.
- 8) Attention is drawn to the Normative references cited in this publication. Use of the referenced publications is indispensable for the correct application of this publication.

**This consolidated version of the official IEC Standard and its amendments has been prepared for user convenience.**

**IEC 61784-3-18 edition 1.2 contains the first edition (2011-04) [documents 65C/639/FDIS and 65C/649/RVD], its amendment 1 (2016-07) [documents 65C/851/FDIS and 65C/854/RVD] and its amendment 2 (2021-04) [documents 65C/1083/FDIS and 65C/1087/RVD].**

**In this Redline version, a vertical line in the margin shows where the technical content is modified by amendments 1 and 2. Additions are in green text, deletions are in strikethrough red text. A separate Final version with all changes accepted is available in this publication.**

International Standard IEC 61784-3-18 has been prepared by subcommittee 65C: Industrial networks, of IEC technical committee 65: Industrial process measurement, control and automation.

This publication has been drafted in accordance with the ISO/IEC Directives, Part 2.

A list of all parts of the IEC 61784-3 series, published under the general title *Industrial communication networks – Profiles – Functional safety fieldbuses*, can be found on the IEC website.

The committee has decided that the contents of the base publication and its amendments will remain unchanged until the stability date indicated on the IEC web site under "<http://webstore.iec.ch>" in the data related to the specific publication. At this date, the publication will be

- reconfirmed,
- withdrawn,
- replaced by a revised edition, or
- amended.

**IMPORTANT – The 'colour inside' logo on the cover page of this publication indicates that it contains colours which are considered to be useful for the correct understanding of its contents. Users should therefore print this document using a colour printer.**

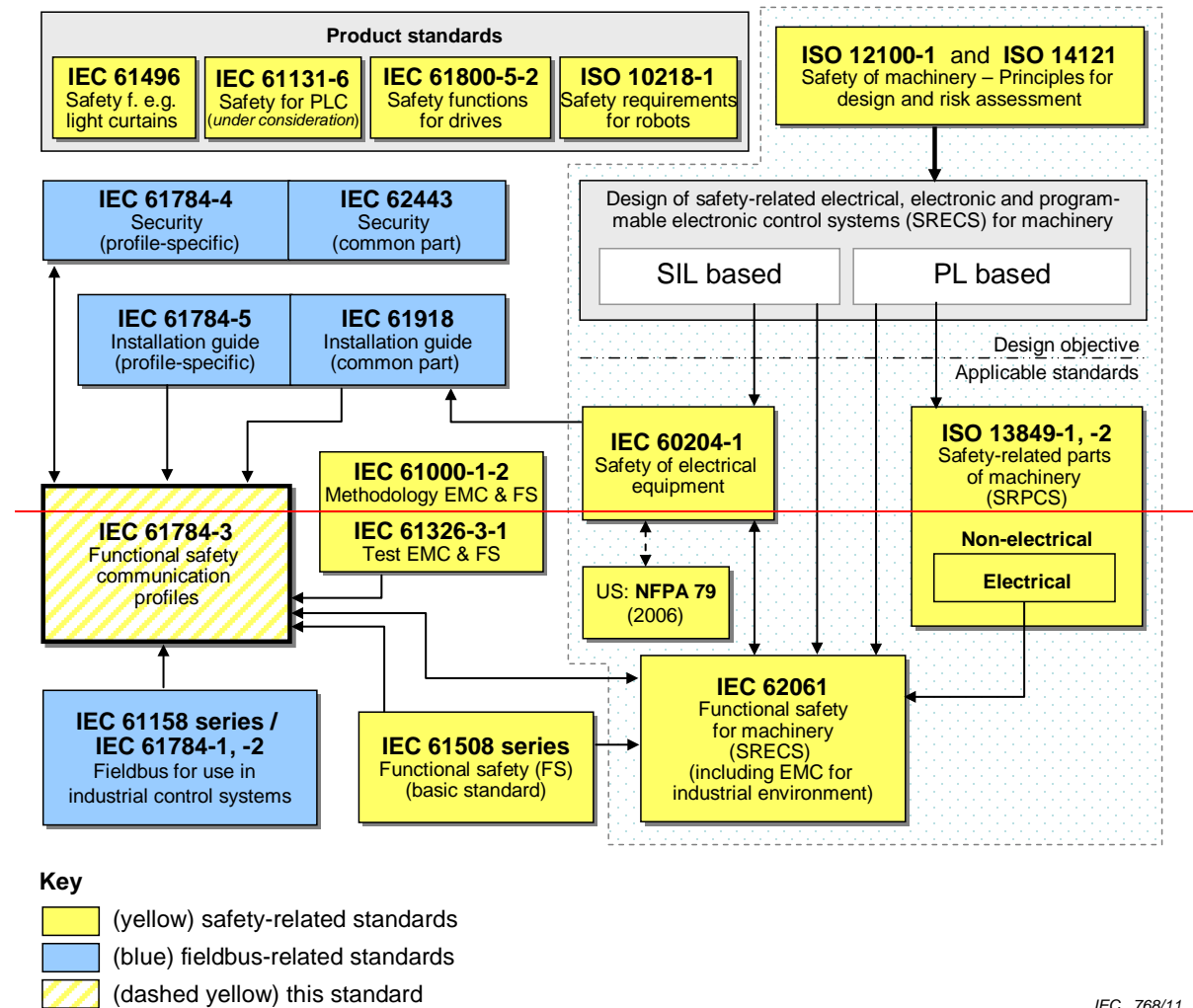
## 0 Introduction

### 0.1 General

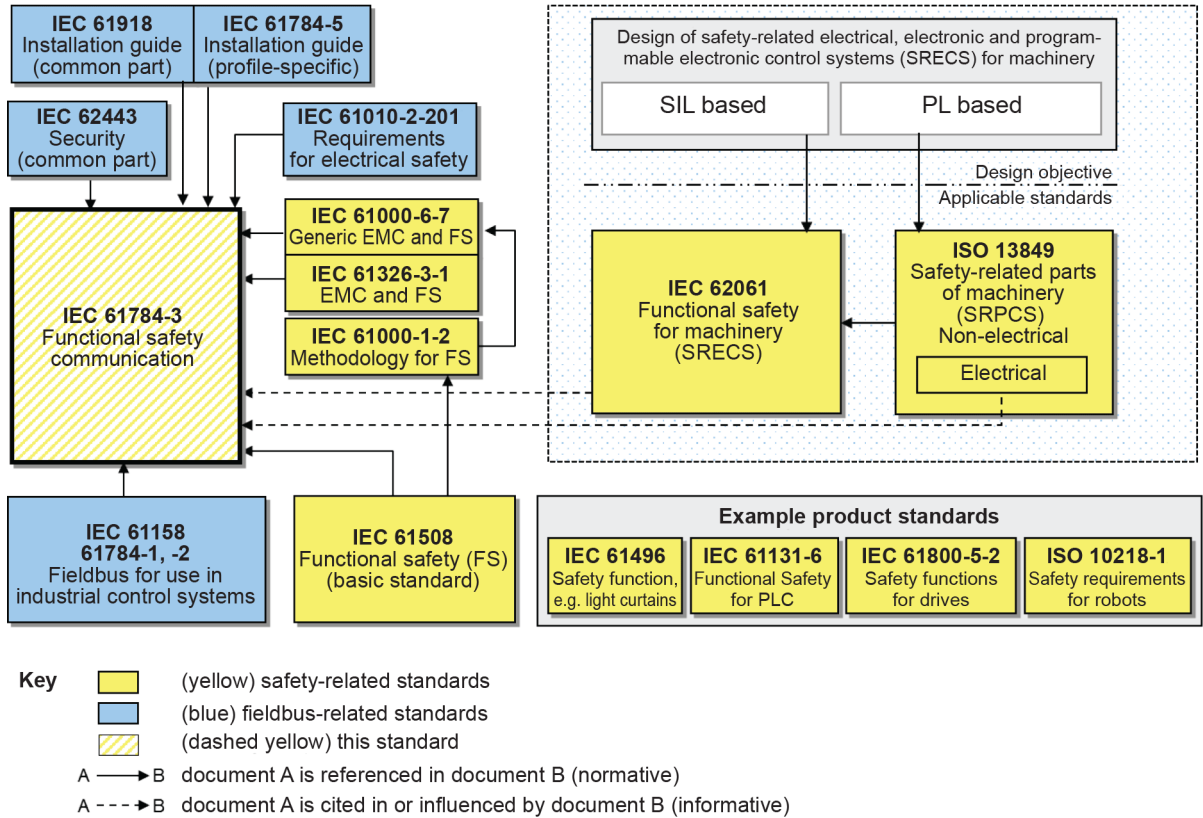
The IEC 61158 fieldbus standard together with its companion standards IEC 61784-1 and IEC 61784-2 defines a set of communication protocols that enable distributed control of automation applications. Fieldbus technology is now considered well accepted and well proven. Thus many fieldbus enhancements are emerging, addressing not yet standardized areas such as real time, safety-related and security-related applications.

This standard explains the relevant principles for functional safety communications with reference to IEC 61508 series and specifies several safety communication layers (profiles and corresponding protocols) based on the communication profiles and protocol layers of IEC 61784-1, IEC 61784-2 and the IEC 61158 series. It does not cover electrical safety and intrinsic safety aspects.

Figure 1 shows the relationships between this standard and relevant safety and fieldbus standards in a machinery environment.





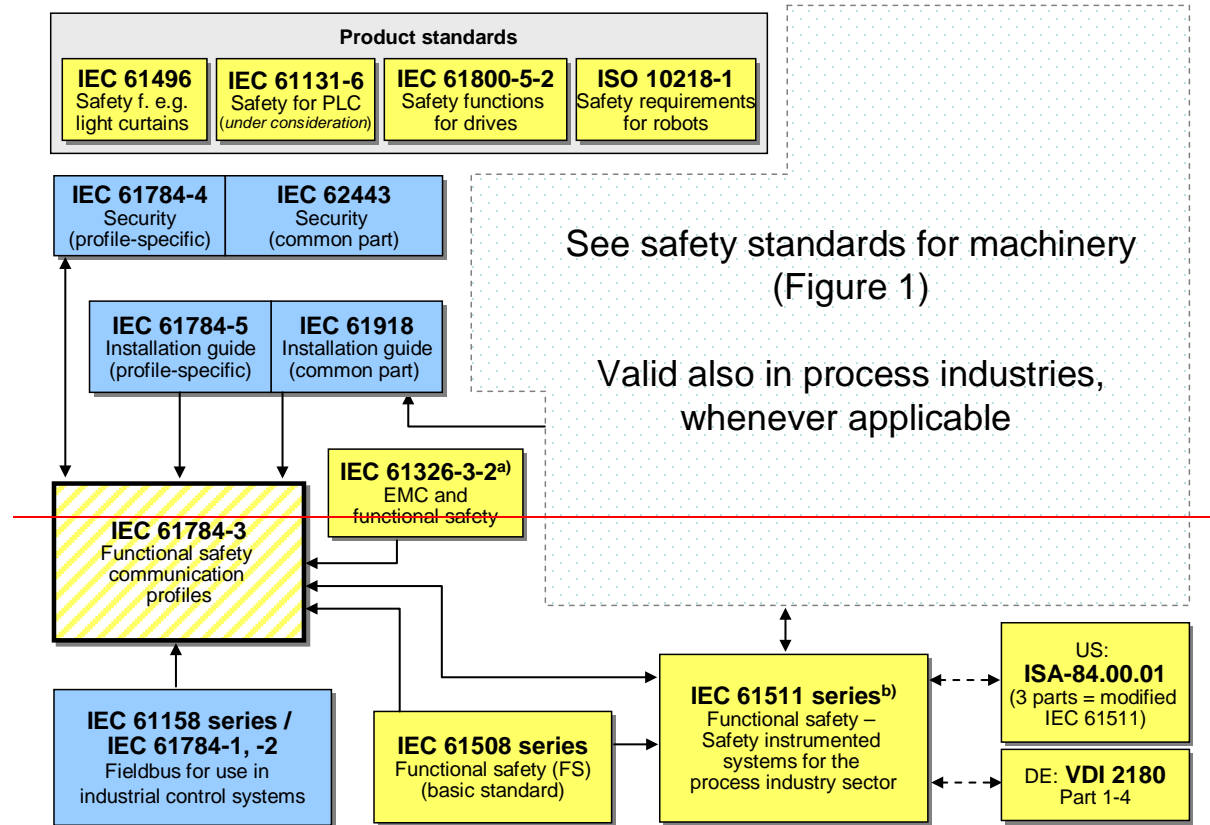


IEC

NOTE Subclauses 6.7.6.4 (high complexity) and 6.7.8.1.6 (low complexity) of IEC 62061 specify the relationship between PL (Category) and SIL. IEC 62061 specifies the relationship between PL (Category) and SIL.

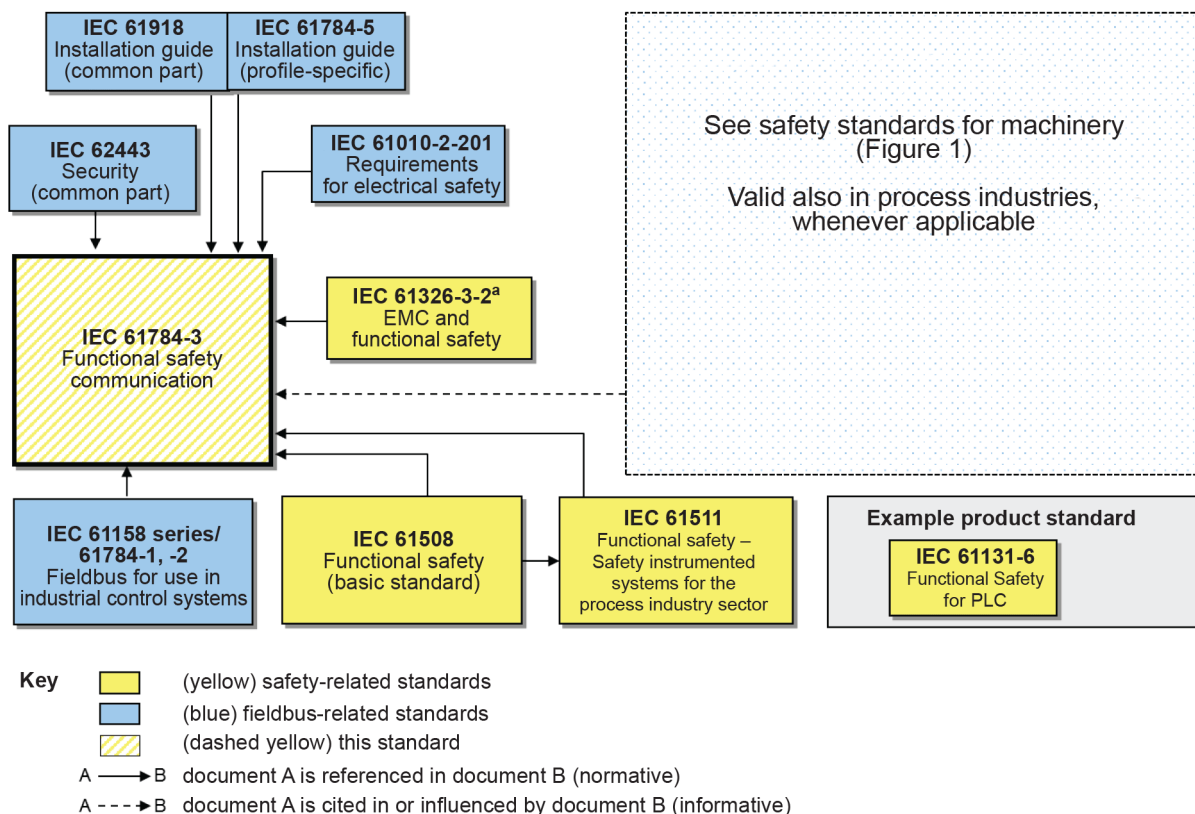
**Figure 1 – Relationships of IEC 61784-3 with other standards (machinery)**

Figure 2 shows the relationships between this standard and relevant safety and fieldbus standards in a process environment.



**Key**

- (yellow) safety-related standards
- (blue) fieldbus-related standards
- (dashed yellow) this standard



IEC 769/1<sup>1</sup>EC

<sup>a</sup> For specified electromagnetic environments; otherwise IEC 61326-3-1 or IEC 61000-6-7.

~~<sup>b</sup> EN-ratified.~~

**Figure 2 – Relationships of IEC 61784-3 with other standards (process)**

Safety communication layers which are implemented as parts of safety-related systems according to IEC 61508 series provide the necessary confidence in the transportation of messages (information) between two or more participants on a fieldbus in a safety-related system, or sufficient confidence of safe behaviour in the event of fieldbus errors or failures.

Safety communication layers specified in this standard do this in such a way that a fieldbus can be used for applications requiring functional safety up to the Safety Integrity Level (SIL) specified by its corresponding functional safety communication profile.

The resulting SIL claim of a system depends on the implementation of the selected functional safety communication profile within this system – implementation of a functional safety communication profile in a standard device is not sufficient to qualify it as a safety device.

This standard describes:

- basic principles for implementing the requirements of IEC 61508 series for safety-related data communications, including possible transmission faults, remedial measures and considerations affecting data integrity;
- individual description of functional safety profiles for several communication profile families in IEC 61784-1 and IEC 61784-2;
- safety layer extensions to the communication service and protocols sections of the IEC 61158 series.

## 0.2 Patent declaration

The International Electrotechnical Commission (IEC) draws attention to the fact that it is claimed that compliance with this document may involve the use of a patent concerning the functional safety communication profiles for family 18 as follows, where the [xx] notation indicates the holder of the patent right:

DE 10 2008 007 672.4-31 [PI] Verfahren und Vorrichtung zum Übertragen von Daten in einem Netzwerk

IEC takes no position concerning the evidence, validity and scope of this patent right.

The holder of this patent right has assured the IEC that he/she is willing to negotiate licences either free of charge or under reasonable and non-discriminatory terms and conditions with applicants throughout the world. In this respect, the statement of the holder of this patent right is registered with IEC. Information may be obtained from:

Information may be obtained from:

[PI] Pilz GmbH & Co. KG  
Felix-Wankel-Str. 2  
73760 Ostfildern  
GERMANY

Attention is drawn to the possibility that some of the elements of this document may be the subject of patent rights other than those identified above. IEC shall not be held responsible for identifying any or all such patent rights.

ISO ([www.iso.org/patents](http://www.iso.org/patents)) and IEC ([http://www.iec.ch/tctools/patent\\_decl.htm](http://www.iec.ch/tctools/patent_decl.htm)) maintain on-line data bases of patents relevant to their standards. Users are encouraged to consult the data bases for the most up to date information concerning patents.

## INTRODUCTION to Amendment 2

This Amendment 2 introduces several editorial and informational corrections in the context of Edition 4 of IEC 61784-3.

## INDUSTRIAL COMMUNICATION NETWORKS – PROFILES

### Part 3-18: Functional safety fieldbuses – Additional specifications for CPF 18

#### 1 Scope

This part of the IEC 61784-3 series specifies a safety communication layer (services and protocol) based on CPF 18 of IEC 61784-2 and IEC 61158 Type 22. It identifies the principles for functional safety communications defined in IEC 61784-3 that are relevant for this safety communication layer.

NOTE 1 It does not cover electrical safety and intrinsic safety aspects. Electrical safety relates to hazards such as electrical shock. Intrinsic safety relates to hazards associated with potentially explosive atmospheres.

This part<sup>1</sup> defines mechanisms for the transmission of safety-relevant messages among participants within a distributed network using fieldbus technology in accordance with the requirements of IEC 61508 series<sup>2</sup> for functional safety. These mechanisms may be used in various industrial applications such as process control, manufacturing automation and machinery.

This part provides guidelines for both developers and assessors of compliant devices and systems.

NOTE 2 The resulting SIL claim of a system depends on the implementation of the selected functional safety communication profile within this system – implementation of a functional safety communication profile according to this part in a standard device is not sufficient to qualify it as a safety device.

#### 2 Normative references

The following referenced documents are indispensable for the application of this document. For dated references, only the edition cited applies. For undated references, the latest edition of the referenced document (including any amendments) applies.

IEC 61158-3-22, *Industrial communication networks – Fieldbus specifications – Part 3-22: Data-link layer service definition – Type 22 elements*

IEC 61158-4-22, *Industrial communication networks – Fieldbus specifications – Part 4-22: Data-link layer protocol specification – Type 22 elements*

IEC 61158-5-22, *Industrial communication networks – Fieldbus specifications – Part 5-22: Application layer service definition – Type 22 elements*

IEC 61158-6-22, *Industrial communication networks – Fieldbus specifications – Part 6-22: Application layer protocol specification – Type 22 elements*

IEC 61508 (all parts), *Functional safety of electrical/electronic/programmable electronic safety-related systems*

---

<sup>1</sup> In the following pages of this standard, “this part” will be used for “this part of the IEC 61784-3 series”.

<sup>2</sup> In the following pages of this standard, “IEC 61508” will be used for “IEC 61508 series”.

IEC 61508-2:2010, *Functional safety of electrical/electronic/programmable electronic safety-related systems – Part 2: Requirements for electrical/electronic/programmable electronic safety-related systems*

IEC 61784-2:2010, *Industrial communication networks – Profiles – Part 2: Additional fieldbus profiles for real-time networks based on ISO/IEC 8802-3*

IEC 61784-3:2010, *Industrial communication networks – Profiles – Part 3: Functional safety fieldbuses – General rules and profile definitions*

IEC 61918, *Industrial communication networks – Installation of communication networks in industrial premises*

ISO/IEC 10731, *Information technology – Open system interconnection – Basic reference model – Conventions for the definition of OSI services*

## SOMMAIRE

AVANT-PROPOS.....	73
0 Introduction .....	75
0.1 Généralités.....	75
0.2 Déclaration de propriété .....	79
INTRODUCTION à l'Amendement 2 .....	79
1 Domaine d'application .....	80
2 Références normatives.....	80
3 Termes, définitions, symboles, abréviations et conventions .....	81
3.1 Termes et définitions .....	81
3.1.1 Termes et définitions communs .....	81
3.1.2 CPF 18: Termes et définitions supplémentaires .....	85
3.2 Symboles et abréviations .....	86
3.2.1 Symboles et abréviations communs.....	86
3.2.2 CPF 18: Symboles et abréviations supplémentaires .....	87
3.3 Conventions .....	88
4 Présentation de FSCP 18/1 (SafetyNET p™).....	89
4.1 Généralités.....	89
4.2 FSCP 18/1 .....	90
5 Généralités.....	91
5.1 Documents externes de spécifications applicables au profil.....	91
5.2 Exigences fonctionnelles de sécurité .....	91
5.3 Mesures de sécurité .....	91
5.4 Structure de la couche de communication de sécurité .....	92
5.5 Relations avec la FAL (et DLL, PhL).....	93
5.5.1 Généralités.....	93
5.5.2 Types de données .....	93
6 Services de la couche de communication de sécurité .....	93
6.1 Eléments généraux.....	93
6.1.1 Généralités.....	93
6.1.2 Dictionnaire d'objets de sécurité .....	93
6.1.3 Objet de données de processus de sécurité (SPDO) .....	93
6.1.4 Cadence (impulsions) de sécurité (SHB) .....	94
6.1.5 Contrôle de retard de sécurité (SDM) .....	94
6.2 Relation de communication .....	94
7 Protocole de couche de communication de sécurité.....	95
7.1 Format PDU de sécurité .....	95
7.1.1 Généralités.....	95
7.1.2 Objets de données de processus de sécurité (SPDO).....	96
7.1.3 Cadence (impulsions) de sécurité (SHB) .....	97
7.1.4 PDU de sécurité intégrées dans un PDU de type 22 .....	100
7.2 Gestion de la couche de communication de sécurité (SALMT).....	100
7.3 Communication de données de processus de sécurité.....	103
7.4 Cadence (impulsions) de sécurité.....	105
7.5 Contrôle de retard .....	106
8 Gestion de la couche de communication de sécurité.....	107

8.1	Traitement des paramètres.....	107
8.2	Dictionnaire d'objets de sécurité.....	108
8.2.1	Généralités.....	108
8.2.2	Section de profil de communication .....	109
8.2.3	Section de profil d'appareil normalisé .....	125
9	Exigences relatives au système.....	125
9.1	Voyants et commutateurs .....	125
9.1.1	Etats des voyants et fréquences de clignotement .....	125
9.1.2	Voyants .....	125
9.1.3	Commutateurs .....	126
9.2	Lignes directrices d'installation.....	126
9.3	Temps de réponse de la fonction de sécurité.....	126
9.3.1	Généralités.....	126
9.3.2	Détermination de la procédure de contrôle de retard FSCP 18/1.....	127
9.3.3	Calcul du temps de réponse de la fonction de sécurité le plus défavorable .....	127
9.4	Durée des demandes .....	128
9.5	Contraintes liées au calcul des caractéristiques du système.....	128
9.5.1	Contraintes relatives à la sécurité.....	128
	<del>9.5.2</del> <del>Considerations d'ordre probabilistiques .....</del>	
9.6	Maintenance.....	130
9.7	Manuel de sécurité .....	130
10	Evaluation .....	130
Annex A (informative) Informations supplémentaires pour les profils de communication de sécurité fonctionnelle de protocole CPF 18 .....		
A.1	Calcul de la fonction de hachage.....	132
A.2	Vide .....	135
Annex B (informative) Information pour l'évaluation des profils de communication de sécurité fonctionnelle de protocole CPF 18 .....		
Bibliographie.....		
137		
Figure 1	– Relations entre l'IEC 61784-3 et d'autres normes (machines) .....	76
Figure 2	– Relations entre l'IEC 61784-3 et d'autres normes (transformation) .....	78
Figure 3	– Système FSCP 18/1 .....	90
Figure 4	– Architecture logicielle du protocole FSCP 18/1 .....	92
Figure 5	– Modèle d'interaction SPDO .....	94
Figure 6	– Modèle d'interaction SHB .....	95
Figure 7	– Structure des objets de données de processus de sécurité .....	96
Figure 8	– Structure de demande de cadence (impulsions) de sécurité .....	97
Figure 9	– Structure de réponse de cadence (impulsions) de sécurité.....	98
Figure 10	– PDU de sécurité pour le protocole FSCP 18/1 intégrée dans une section de données CDC de type 22 .....	100
Figure 11	– Diagramme d'états SALMT .....	101
Figure 12	– Diagramme d'états RxSPDO .....	104
Figure 13	– Procédure de cadence (impulsions).....	106
Figure 14	– Principe de mesure du retard .....	106
Figure 15	– Traitement des paramètres .....	108



Figure 16 – Composantes du temps de réponse de la fonction de sécurité .....	126
Figure 17 – Champs de données pris en compte pour le calcul de la taille des messages .....	129
<del>Figure 18 – Taux d'erreurs résiduelles .....</del>	<del>.....</del>
Tableau 1 – Définition des objets .....	89
Tableau 2 – Définition des éléments PDU de sécurité .....	89
Tableau 3 – Erreurs de communication et mesures de détection .....	92
Tableau 4 – Structure du PDU du SPDO .....	96
Tableau 5 – Structure du PDU de demande SHB .....	98
Tableau 6 – Structure du PDU de réponse SHB .....	99
Tableau 7 – Codage de l'état de la couche de communication de sécurité SHB .....	99
Tableau 8 – Commandes SALMT .....	101
Tableau 9 – Etats du diagramme d'états SALMT .....	102
Tableau 10 – Transitions du diagramme d'états SALMT .....	102
Tableau 11 – Etats du diagramme d'états RxSPDO .....	104
Tableau 12 – Transitions du diagramme d'état RxSPDO .....	104
Tableau 13 – Temporisations .....	105
Tableau 14 – Structure du dictionnaire d'objets de sécurité .....	108
Tableau 15 – Objets de la section de communication .....	109
Tableau 16 – Type d'appareil .....	110
Tableau 17 – Indicatif de sécurité .....	111
Tableau 18 – Entrée de cadence (impulsions) d'un consommateur de sécurité .....	111
Tableau 19 – Cadence (impulsions) du consommateur de sécurité .....	113
Tableau 20 – Paramètre de cadence (impulsions) du producteur de sécurité .....	114
Tableau 21 – Durées de cycle des bus de sécurité .....	116
Tableau 22 – Tolérance de temporisation SPDO .....	117
Tableau 23 – Paramètre de communication SPDO de réception .....	118
Tableau 24 – Paramètre de communication SPDO de transmission .....	121
Tableau 25 – Format de mise en correspondance .....	123
Tableau 26 – Paramètre de mise en correspondance SPDO de réception .....	124
Tableau 27 – Paramètre de mise en correspondance SPDO de transmission .....	124
Tableau 28 – Définition des états des voyants .....	125
Tableau 29 – Etats du voyant STATUS .....	126
Tableau A.1 – Probabilités d'erreurs résiduelles pour le polynôme CRC32 0x120044009 .....	132

## COMMISSION ÉLECTROTECHNIQUE INTERNATIONALE

---

### RÉSEAUX DE COMMUNICATION INDUSTRIELS – PROFILS

#### Partie 3-18: Bus de terrain de sécurité fonctionnelle – Spécifications supplémentaires pour le CPF 18

#### AVANT-PROPOS

- 1) La Commission Electrotechnique Internationale (IEC) est une organisation mondiale de normalisation composée de l'ensemble des comités électrotechniques nationaux (Comités nationaux de l'IEC). L'IEC a pour objet de favoriser la coopération internationale pour toutes les questions de normalisation dans les domaines de l'électricité et de l'électronique. A cet effet, l'IEC – entre autres activités – publie des Normes internationales, des Spécifications techniques, des Rapports techniques, des Spécifications accessibles au public (PAS) et des Guides (ci-après dénommés "Publication(s) de l'IEC"). Leur élaboration est confiée à des comités d'études, aux travaux desquels tout Comité national intéressé par le sujet traité peut participer. Les organisations internationales, gouvernementales et non gouvernementales, en liaison avec l'IEC, participent également aux travaux. L'IEC collabore étroitement avec l'Organisation Internationale de Normalisation (ISO), selon des conditions fixées par accord entre les deux organisations.
- 2) Les décisions ou accords officiels de l'IEC concernant les questions techniques représentent, dans la mesure du possible, un accord international sur les sujets étudiés, étant donné que les Comités nationaux de l'IEC intéressés sont représentés dans chaque comité d'études.
- 3) Les Publications de l'IEC se présentent sous la forme de recommandations internationales et sont agréées comme telles par les Comités nationaux de l'IEC. Tous les efforts raisonnables sont entrepris afin que l'IEC s'assure de l'exactitude du contenu technique de ses publications; l'IEC ne peut pas être tenue responsable de l'éventuelle mauvaise utilisation ou interprétation qui en est faite par un quelconque utilisateur final.
- 4) Dans le but d'encourager l'uniformité internationale, les Comités nationaux de l'IEC s'engagent, dans toute la mesure possible, à appliquer de façon transparente les Publications de l'IEC dans leurs publications nationales et régionales. Toutes divergences entre toutes Publications de l'IEC et toutes publications nationales ou régionales correspondantes doivent être indiquées en termes clairs dans ces dernières.
- 5) L'IEC elle-même ne fournit aucune attestation de conformité. Des organismes de certification indépendants fournissent des services d'évaluation de conformité et, dans certains secteurs, accèdent aux marques de conformité de l'IEC. L'IEC n'est responsable d'aucun des services effectués par les organismes de certification indépendants.
- 6) Tous les utilisateurs doivent s'assurer qu'ils sont en possession de la dernière édition de cette publication.
- 7) Aucune responsabilité ne doit être imputée à l'IEC, à ses administrateurs, employés, auxiliaires ou mandataires, y compris ses experts particuliers et les membres de ses comités d'études et des Comités nationaux de l'IEC, pour tout préjudice causé en cas de dommages corporels et matériels, ou de tout autre dommage de quelque nature que ce soit, directe ou indirecte, ou pour supporter les coûts (y compris les frais de justice) et les dépenses découlant de la publication ou de l'utilisation de cette Publication de l'IEC ou de toute autre Publication de l'IEC, ou au crédit qui lui est accordé.
- 8) L'attention est attirée sur les références normatives citées dans cette publication. L'utilisation de publications référencées est obligatoire pour une application correcte de la présente publication.

**Cette version consolidée de la Norme IEC officielle et de ses amendements a été préparée pour la commodité de l'utilisateur.**

**L'IEC 61784-3-18 édition 1.2 contient la première édition 2011-04) [documents 65C/639/FDIS et 65C/649/RVD], son amendement 1 (2016-07) [documents 65C/851/FDIS et 65C/854/RVD] et son amendement 2 (2021-04) [documents 65C/1083/FDIS et 65C/1087/RVD].**

**Dans cette version Redline, une ligne verticale dans la marge indique où le contenu technique est modifié par les amendements 1 et 2. Les ajouts sont en vert, les suppressions sont en rouge, barrées. Une version Finale avec toutes les modifications acceptées est disponible dans cette publication.**

La Norme internationale IEC 61784-3-18 a été établie par le sous-comité 65C: Réseaux de communication industriels, du comité d'études 65 de l'IEC: Mesure, commande et automation dans les processus industriels.

Cette publication a été rédigée selon les Directives ISO/IEC, Partie 2.

Une liste de toutes les parties de la série IEC 61784-3, publiée sous le titre général *Réseaux de communication industriels – Profils – Bus de terrain de sécurité fonctionnelle*, est disponible sur le site Web de l'IEC.

Le comité a décidé que le contenu de la publication de base et de ses amendements ne sera pas modifié avant la date de stabilité indiquée sur le site web de l'IEC sous "<http://webstore.iec.ch>" dans les données relatives à la publication recherchée. A cette date, la publication sera

- reconduite,
- supprimée,
- remplacée par une édition révisée, ou
- amendée.

**IMPORTANT – Le logo "*colour inside*" qui se trouve sur la page de couverture de cette publication indique qu'elle contient des couleurs qui sont considérées comme utiles à une bonne compréhension de son contenu. Les utilisateurs devraient, par conséquent, imprimer cette publication en utilisant une imprimante couleur.**

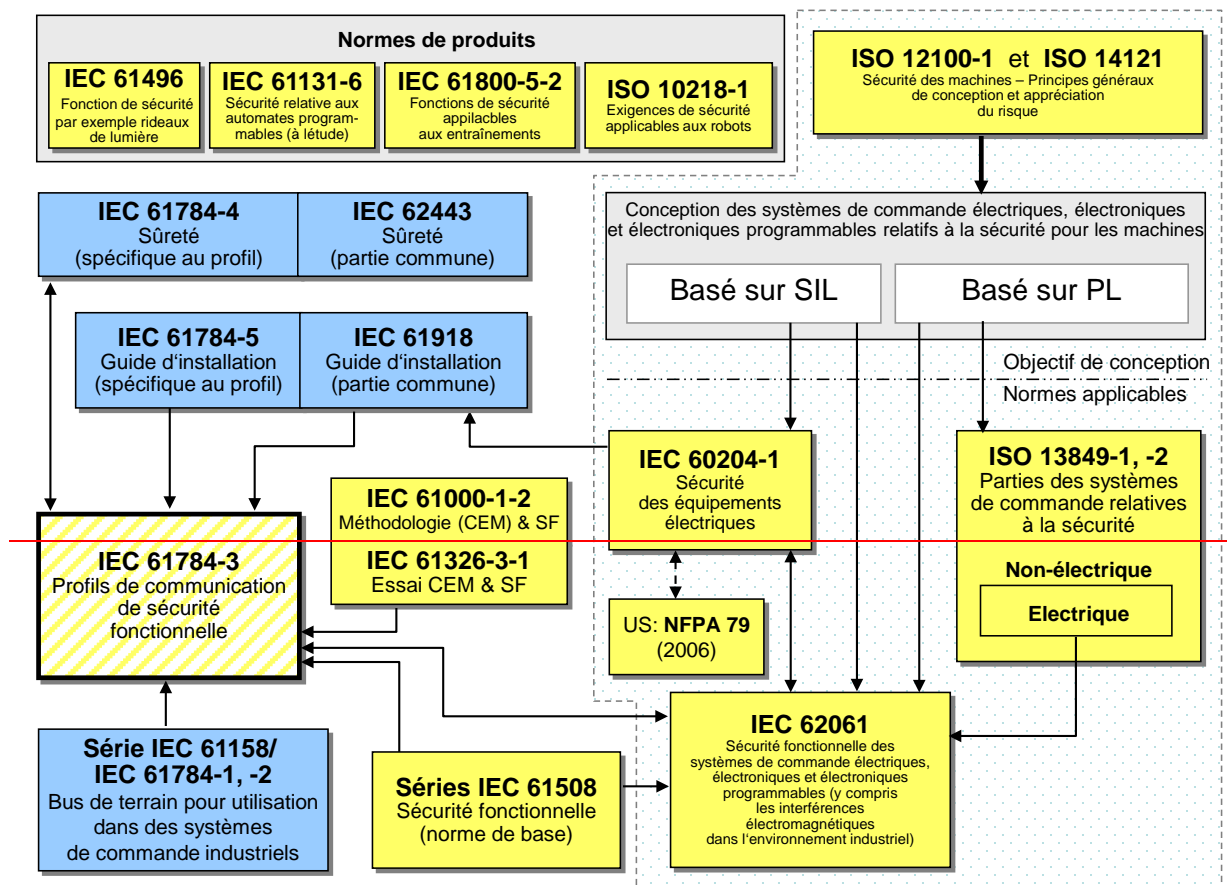
## 0 Introduction

### 0.1 Généralités

La norme IEC 61158 relative aux bus de terrain, ainsi que ses normes associées IEC 61784-1 et IEC 61784-2, définissent un ensemble de protocoles de communication qui assurent la commande répartie d'applications automatisées. La technologie de bus de terrain est désormais reconnue et bien éprouvée. Ainsi de nombreuses améliorations des bus de terrain se développent pour traiter de domaines non encore normalisés tels que les applications en temps réel relatives à la sécurité et à la sûreté.

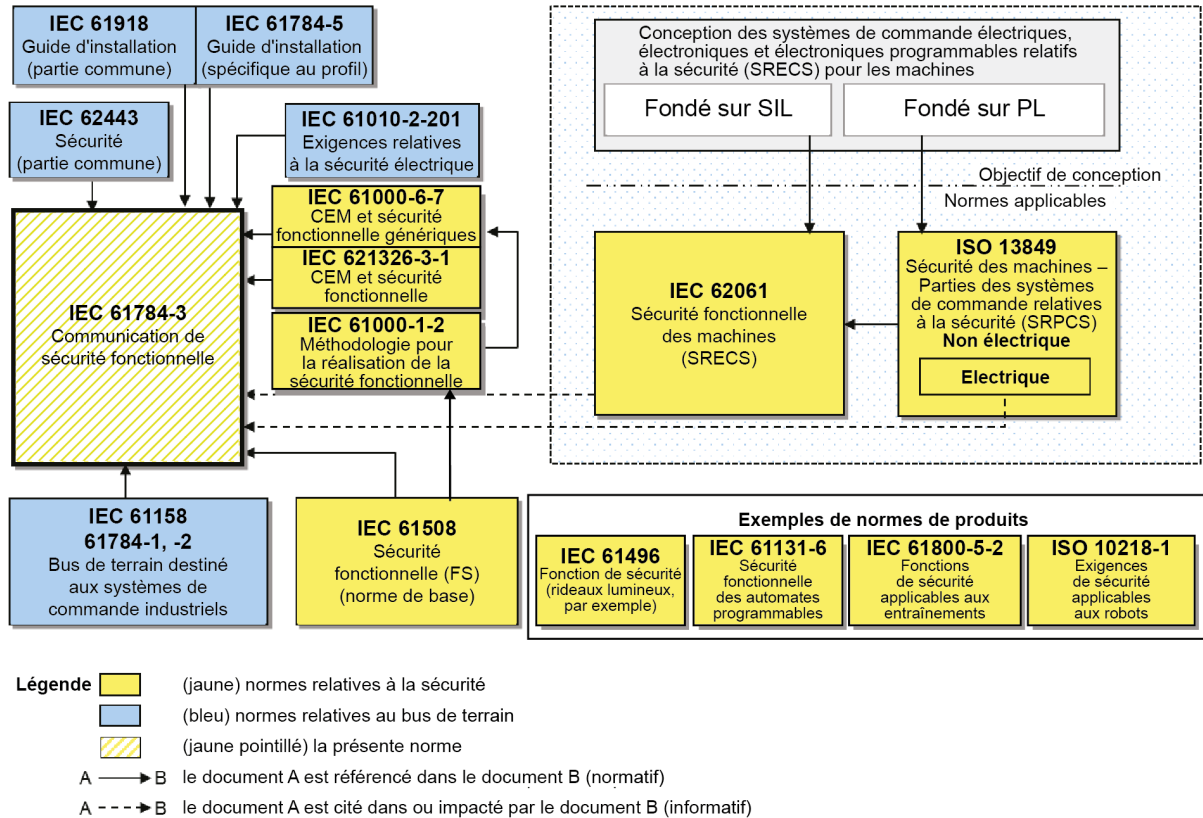
La présente norme définit les principes pertinents applicables aux communications en termes de sécurité fonctionnelle en référence à la série IEC 61508, et spécifie plusieurs couches de communication de sécurité (profils et protocoles correspondants) basés sur les profils de communication et les couches de protocoles de l'IEC 61784-1, l'IEC 61784-2 et la série IEC 61158. Elle ne couvre pas les aspects relatifs à la sécurité électrique et à la sécurité intrinsèque.

La Figure 1 illustre les relations entre la présente norme et les normes pertinentes relatives à la sécurité et au bus de terrain dans un environnement de machines.



#### Légende

- (jaune) normes relatives à la sécurité
- (bleu) normes relatives au bus de terrain
- (jaune pointillé) à la présente norme

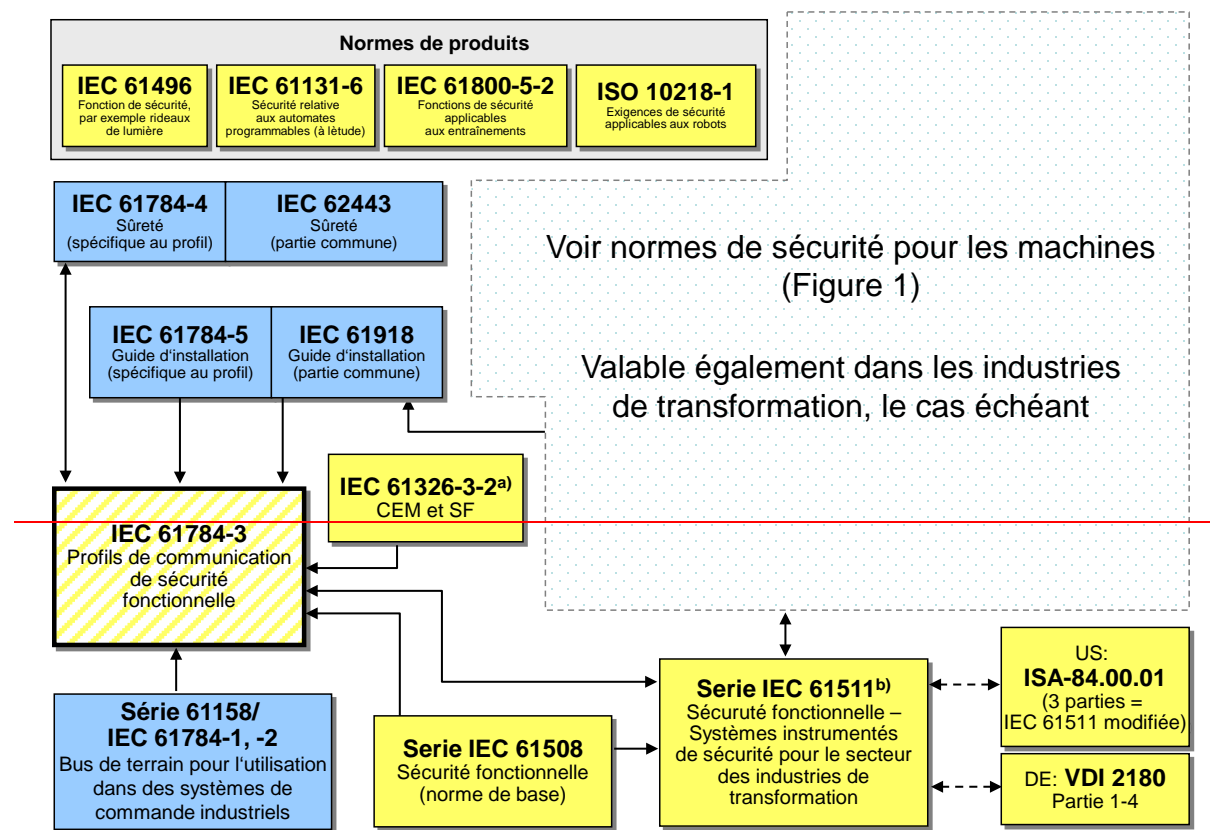


IEC

NOTE Les paragraphes 6.7.6.4 (haute complexité) et 6.7.8.1.6 (faible complexité) de l'IEC 62061 spécifient la relation entre PL (catégorie) et SIL. L'IEC 62061 spécifie la relation entre PL (Catégorie) et SIL.

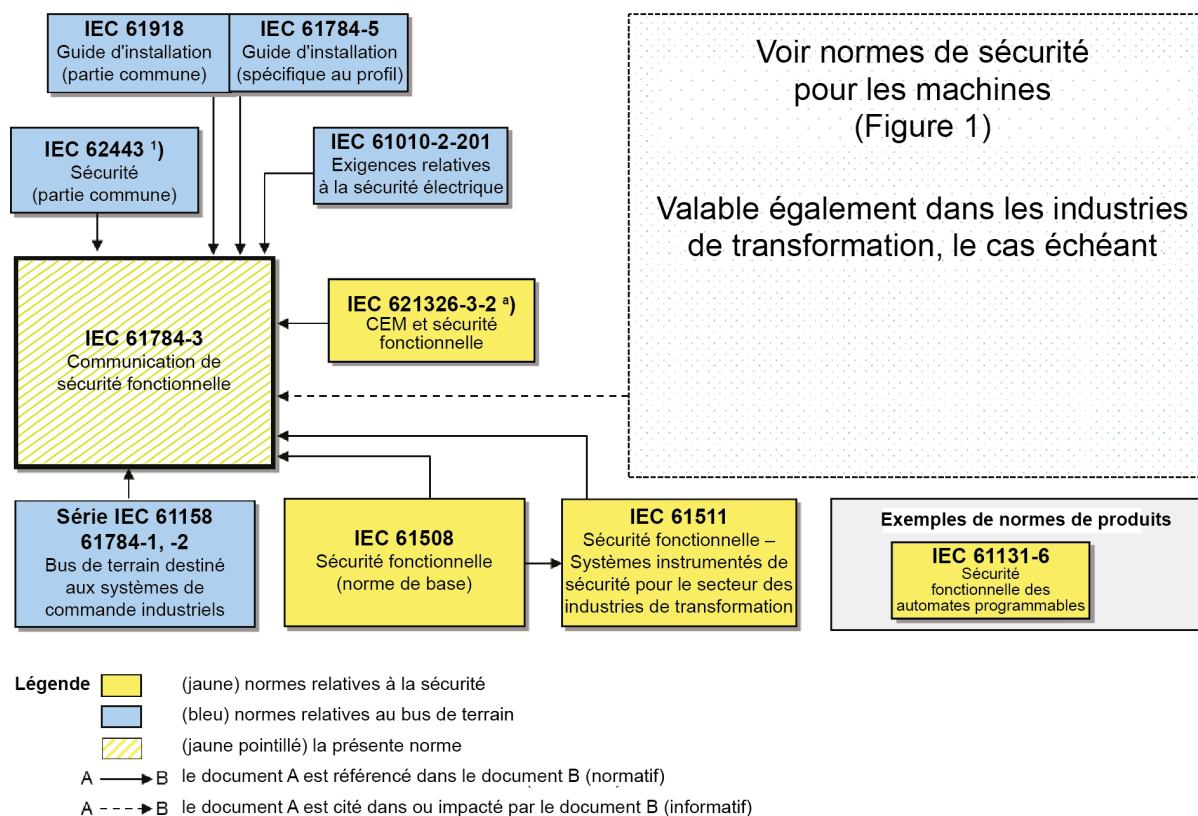
**Figure 1 – Relations entre l'IEC 61784-3 et d'autres normes (machines)**

La Figure 2 illustre les relations entre la présente norme et les normes pertinentes relatives à la sécurité et au bus de terrain dans un environnement de transformation.



**Légende**

- (Jaune) normes relatives à la sécurité
- (bleu) normes relatives au bus de terrain
- (jaune pointillé) la présente norme



a Pour ~~des~~ les environnements électromagnétiques spécifiés, sinon IEC 61326-3-1 ou l'IEC 61000-6-7 s'applique.

~~b EN ratifiée.~~

**Figure 2 – Relations entre l'IEC 61784-3 et d'autres normes (transformation)**

Les couches de communication de sécurité mises en œuvre dans le cadre de systèmes relatifs à la sécurité conformément à la série IEC 61508, assurent la confiance nécessaire à accorder à la transmission de messages (information) entre deux participants ou plus sur un bus de terrain dans un système relatif à la sécurité, ou une fiabilité suffisante dans le comportement de sécurité en cas d'erreurs ou de défaillances du bus de terrain.

Les couches de communication de sécurité spécifiées dans la présente norme permettent de garantir cette assurance en utilisant un bus de terrain dans des applications nécessitant une sécurité fonctionnelle jusqu'au niveau d'intégrité de sécurité (SIL) spécifié par son profil de communication de sécurité fonctionnelle correspondant.

La revendication du SIL qui en résulte pour un système dépend de la mise en œuvre du profil de communication de sécurité fonctionnelle retenu au sein du système – la mise en œuvre du profil de communication de sécurité fonctionnelle dans un appareil normal ne suffit pas à le qualifier d'appareil de sécurité.

La présente norme décrit:

- les principes de base de mise en œuvre des exigences de la série IEC 61508 pour les communications de données relatives à la sécurité, y compris les défauts de transmission potentiels, les mesures correctives et les considérations concernant l'intégrité des données;
- la description individuelle des profils de sécurité fonctionnelle pour plusieurs familles de profils de communication dans les IEC 61784-1 et IEC 61784-2;
- les extensions de la couche de sécurité aux sections relatives au service et aux protocoles de communication de la série IEC 61158.

## 0.2 Déclaration de propriété

La Commission Electrotechnique Internationale (IEC) attire l'attention sur le fait qu'il est déclaré que la conformité avec les dispositions du présent document peut impliquer l'utilisation de brevets concernant les profils de communication de sécurité fonctionnelle pour la famille 18 comme suit, où la notation [xx] désigne le détenteur des droits de propriété:

DE 10 2008 007 672.4-31 [PI] Verfahren und Vorrichtung zum Übertragen von Daten in einem Netzwerk

L'IEC ne prend pas position quant à la preuve, la validité et la portée de ces droits de propriété.

Le détenteur de ces droits de propriété a donné l'assurance à l'IEC qu'il consent à négocier des licences avec des demandeurs du monde entier, soit sans frais soit à des termes conditions raisonnables et non discriminatoires. A ce propos, la déclaration du détenteur des droits de propriété est enregistrée à l'IEC.

Des informations peuvent être obtenues auprès de:

[PI] Pilz GmbH & Co. KG  
Felix-Wankel-Str. 2  
73760 Ostfildern  
ALLEMAGNE

L'attention est d'autre part attirée sur le fait que certains des éléments du présent document peuvent faire l'objet de droits de propriété autres que ceux mentionnés ci-dessus. L'IEC ne saurait être tenue pour responsable de l'identification de ces droits de propriété en tout ou en partie.

L'ISO ([www.iso.org/patents](http://www.iso.org/patents)) et l'IEC ([http://www.iec.ch/tctools/patent\\_decl.htm](http://www.iec.ch/tctools/patent_decl.htm)) maintiennent des bases des données, consultables en ligne, des droits de propriété pertinents à leurs normes. Les utilisateurs sont encouragés à consulter ces bases de données pour obtenir l'information la plus récente concernant les droits de propriété.

## INTRODUCTION à l'Amendement 2

Le présent Amendement 2 introduit plusieurs corrections rédactionnelles et informatives dans le cadre de l'édition 4 de l'IEC 61784-3.



## RÉSEAUX DE COMMUNICATION INDUSTRIELS – PROFILS

### Partie 3-18: Bus de terrain de sécurité fonctionnelle – Spécifications supplémentaires pour le CPF 18

#### 1 Domaine d'application

La présente partie de la série IEC 61784-3 spécifie une couche de communication relative à la sécurité (services et protocole) fondée sur le CPF 18 de l'IEC 61784-2 et le type 22 de l'IEC 61158. Elle identifie les principes applicables aux communications de sécurité fonctionnelle définies dans l'IEC 61784-3, et appropriés à cette couche de communication de sécurité.

NOTE 1 Elle ne couvre pas les aspects relatifs à la sécurité électrique et à la sécurité intrinsèque. La sécurité électrique concerne les dangers tels que les chocs électriques. La sécurité intrinsèque concerne les dangers associés aux atmosphères explosibles.

La présente partie<sup>1</sup> définit les mécanismes de transmission des messages propres à la sécurité entre les participants d'un réseau réparti, en utilisant la technologie de bus de terrain conformément aux exigences de la série IEC 61508<sup>2</sup> concernant la sécurité fonctionnelle. Ces mécanismes peuvent être utilisés dans diverses applications industrielles, telles que la commande de processus, l'usinage automatique et les machines.

La présente partie fournit des lignes directrices tant pour les développeurs que pour les évaluateurs d'appareils et systèmes conformes.

NOTE 2 La revendication du SIL qui résulte pour un système dépend de la mise en œuvre du profil de communication de sécurité fonctionnelle retenu au sein du système – la mise en œuvre du profil de communication de sécurité fonctionnelle, conforme à la présente partie, dans un appareil normal ne suffit pas à le qualifier de appareil de sécurité.

#### 2 Références normatives

Les documents de référence suivants sont indispensables pour l'application du présent document. Pour les références datées, seule l'édition citée s'applique. Pour les références non datées, la dernière édition du document de référence s'applique (y compris les éventuels amendements).

IEC 61158-3-22, *Industrial communication networks – Fieldbus specifications – Part 3-22: Data-link layer service definition – Type 22 elements* (disponible uniquement en anglais)

IEC 61158-4-22, *Industrial communication networks – Fieldbus specifications – Part 4-22: Data-link layer protocol specification – Type 22 elements* (disponible uniquement en anglais)

IEC 61158-5-22, *Industrial communication networks – Fieldbus specifications – Part 5-22: Application layer service definition – Type 22 elements* (disponible uniquement en anglais)

---

<sup>1</sup> Dans les pages suivantes de la présente norme, "la présente partie" se substitue à "cette partie de la série IEC 61784-3".

<sup>2</sup> Dans les pages suivantes de la présente norme, "IEC 61508" se substitue à "série IEC 61508".

IEC 61158-6-22, *Industrial communication networks – Fieldbus specifications – Part 6-22: Application layer protocol specification – Type 22 elements* (disponible uniquement en anglais)

IEC 61508 (toutes parties), *Sécurité fonctionnelle des systèmes électriques/électroniques/électroniques programmables relatifs à la sécurité*

IEC 61508-2:2010, *Sécurité fonctionnelle des systèmes électriques/électroniques/électroniques programmables relatifs à la sécurité – Partie 2: Exigences pour les systèmes électriques/électroniques/électroniques programmables relatifs à la sécurité*

IEC 61784-2:2010, *Industrial communication networks – Profiles – Part 2: Additional fieldbus profiles for real-time networks based on ISO/IEC 8802-3* (disponible uniquement en anglais)

IEC 61784-3:2010, *Industrial communication networks – Profiles – Part 3: Functional safety fieldbuses – General rules and profile definitions* (disponible uniquement en anglais)

IEC 61918, *Industrial communication networks – Installation of communication networks in industrial premises* (disponible uniquement en anglais)

ISO/IEC 10731, *Technologies de l'information – Interconnexion de systèmes ouverts – Modèle de référence de base – Conventions pour la définition des services OSI*

# FINAL VERSION

# VERSION FINALE



**Industrial communication networks – Profiles –  
Part 3-18: Functional safety fieldbuses – Additional specifications for CPF 18**

**Réseaux de communication industriels – Profils –  
Partie 3-18: Bus de terrain de sécurité fonctionnelle – Spécifications  
supplémentaires pour CPF 18**

## CONTENTS

FOREWORD.....	5
0 Introduction .....	7
0.1 General.....	7
0.2 Patent declaration .....	9
INTRODUCTION to Amendment 2 .....	9
1 Scope.....	10
2 Normative references .....	10
3 Terms, definitions, symbols, abbreviated terms and conventions .....	11
3.1 Terms and definitions .....	11
3.1.1 Common terms and definitions .....	11
3.1.2 CPF 18: Additional terms and definitions .....	15
3.2 Symbols and abbreviated terms.....	16
3.2.1 Common symbols and abbreviated terms .....	16
3.2.2 CPF 18: Additional symbols and abbreviated terms .....	17
3.3 Conventions .....	17
4 Overview of FSCP 18/1 (SafetyNET p™).....	19
4.1 General.....	19
4.2 FSCP 18/1 .....	19
5 General .....	20
5.1 External documents providing specifications for the profile.....	20
5.2 Safety functional requirements .....	20
5.3 Safety measures .....	21
5.4 Safety communication layer structure .....	21
5.5 Relationships with FAL (and DLL, PhL) .....	22
5.5.1 General .....	22
5.5.2 Data Types.....	22
6 Safety communication layer services.....	22
6.1 General elements .....	22
6.1.1 General .....	22
6.1.2 Safety object dictionary .....	22
6.1.3 Safety process data object (SPDO) .....	22
6.1.4 Safety heartbeat (SHB).....	22
6.1.5 Safety delay monitoring (SDM) .....	23
6.2 Communication relation.....	23
7 Safety communication layer protocol .....	24
7.1 Safety PDU format .....	24
7.1.1 General .....	24
7.1.2 Safety process data objects (SPDO).....	24
7.1.3 Safety heartbeat (SHB).....	26
7.1.4 Safety PDUs embedded in a Type 22 PDU .....	29
7.2 Safety communication layer management (SALMT).....	29
7.3 Safety process data communication .....	31
7.4 Safety heartbeat.....	33
7.5 Delay monitoring .....	34
8 Safety communication layer management.....	35

8.1	Parameter handling .....	35
8.2	Safety object dictionary .....	35
8.2.1	General .....	35
8.2.2	Communication profile section .....	36
8.2.3	Standardized device profile section .....	52
9	System requirements .....	52
9.1	Indicators and switches .....	52
9.1.1	Indicator states and flash rates .....	52
9.1.2	Indicators .....	53
9.1.3	Switches .....	53
9.2	Installation guidelines .....	53
9.3	Safety function response time .....	53
9.3.1	General .....	53
9.3.2	Determination of FSCP 18/1 time expectation behavior .....	54
9.3.3	Calculation of the worst case safety function response time .....	55
9.4	Duration of demands .....	55
9.5	Constraints for calculation of system characteristics .....	55
9.5.1	Safety related constraints .....	55
9.6	Maintenance .....	56
9.7	Safety manual .....	56
10	Assessment .....	57
Annex A (informative) Additional information for functional safety communication profiles of CPF 18 .....		58
A.1	Hash function calculation .....	58
A.2	Void .....	61
Annex B (informative) Information for assessment of the functional safety communication profiles of CPF 18 .....		62
Bibliography .....		63
Figure 1 – Relationships of IEC 61784-3 with other standards (machinery) .....		7
Figure 2 – Relationships of IEC 61784-3 with other standards (process) .....		8
Figure 3 – FSCP 18/1 system .....		19
Figure 4 – FSCP 18/1 software architecture .....		21
Figure 5 – SPDO interaction model .....		23
Figure 6 – SHB interaction model .....		24
Figure 7 – Safety process data object structure .....		25
Figure 8 – Safety heartbeat request structure .....		26
Figure 9 – Safety heartbeat response structure .....		27
Figure 10 – Safety PDU for FSCP 18/1 embedded in a Type 22 CDC data section .....		29
Figure 11 – SALMT state machine .....		30
Figure 12 – RxSPDO state machine .....		32
Figure 13 – Heartbeat procedure .....		34
Figure 14 – Delay measurement principle .....		34
Figure 15 – Parameter handling .....		35
Figure 16 – Safety response time components .....		54
Figure 17 – Considered data fields for message size calculation .....		56

Table 1 – Object definition .....	18
Table 2 – Safety PDU element definition .....	18
Table 3 – Communication errors and detection measures .....	21
Table 4 – SPDO PDU structure .....	25
Table 5 – SHB request PDU structure .....	27
Table 6 – SHB response PDU structure .....	28
Table 7 – SHB safety communication layer state encoding .....	28
Table 8 – SALMT commands .....	30
Table 9 – System states of SALMT state machine .....	31
Table 10 – State transitions SALMT state machine .....	31
Table 11 – System states of RxSPDO state machine .....	32
Table 12 – State transitions RxSPDO state machine .....	33
Table 13 – Timeouts .....	33
Table 14 – Safety object dictionary structure .....	36
Table 15 – Objects of communication section .....	36
Table 16 – Device type .....	37
Table 17 – Safety ID .....	38
Table 18 – Safety consumer heartbeat entry .....	39
Table 19 – Safety consumer heartbeat .....	40
Table 20 – Safety producer heartbeat parameter .....	41
Table 21 – Safety bus cycle times .....	44
Table 22 – SPDO timeout tolerance .....	45
Table 23 – Receive SPDO communication parameter .....	45
Table 24 – Transmit SPDO communication parameter .....	48
Table 25 – Mapping format .....	51
Table 26 – Receive SPDO mapping parameter .....	51
Table 27 – Transmit SPDO mapping parameter .....	52
Table 28 – Indicator states definiton .....	53
Table 29 – STATUS indicator states .....	53

INTERNATIONAL ELECTROTECHNICAL COMMISSION

---

**INDUSTRIAL COMMUNICATION NETWORKS –  
PROFILES**

**Part 3-18: Functional safety fieldbuses –  
Additional specifications for CPF 18**

FOREWORD

- 1) The International Electrotechnical Commission (IEC) is a worldwide organization for standardization comprising all national electrotechnical committees (IEC National Committees). The object of IEC is to promote international co-operation on all questions concerning standardization in the electrical and electronic fields. To this end and in addition to other activities, IEC publishes International Standards, Technical Specifications, Technical Reports, Publicly Available Specifications (PAS) and Guides (hereafter referred to as “IEC Publication(s)”). Their preparation is entrusted to technical committees; any IEC National Committee interested in the subject dealt with may participate in this preparatory work. International, governmental and non-governmental organizations liaising with the IEC also participate in this preparation. IEC collaborates closely with the International Organization for Standardization (ISO) in accordance with conditions determined by agreement between the two organizations.
- 2) The formal decisions or agreements of IEC on technical matters express, as nearly as possible, an international consensus of opinion on the relevant subjects since each technical committee has representation from all interested IEC National Committees.
- 3) IEC Publications have the form of recommendations for international use and are accepted by IEC National Committees in that sense. While all reasonable efforts are made to ensure that the technical content of IEC Publications is accurate, IEC cannot be held responsible for the way in which they are used or for any misinterpretation by any end user.
- 4) In order to promote international uniformity, IEC National Committees undertake to apply IEC Publications transparently to the maximum extent possible in their national and regional publications. Any divergence between any IEC Publication and the corresponding national or regional publication shall be clearly indicated in the latter.
- 5) IEC itself does not provide any attestation of conformity. Independent certification bodies provide conformity assessment services and, in some areas, access to IEC marks of conformity. IEC is not responsible for any services carried out by independent certification bodies.
- 6) All users should ensure that they have the latest edition of this publication.
- 7) No liability shall attach to IEC or its directors, employees, servants or agents including individual experts and members of its technical committees and IEC National Committees for any personal injury, property damage or other damage of any nature whatsoever, whether direct or indirect, or for costs (including legal fees) and expenses arising out of the publication, use of, or reliance upon, this IEC Publication or any other IEC Publications.
- 8) Attention is drawn to the Normative references cited in this publication. Use of the referenced publications is indispensable for the correct application of this publication.

**This consolidated version of the official IEC Standard and its amendments has been prepared for user convenience.**

**IEC 61784-3-18 edition 1.2 contains the first edition (2011-04) [documents 65C/639/FDIS and 65C/649/RVD], its amendment 1 (2016-07) [documents 65C/851/FDIS and 65C/854/RVD] and its amendment 2 (2021-04) [documents 65C/1083/FDIS and 65C/1087/RVD].**

**This Final version does not show where the technical content is modified by amendments 1 and 2. A separate Redline version with all changes highlighted is available in this publication.**

International Standard IEC 61784-3-18 has been prepared by subcommittee 65C: Industrial networks, of IEC technical committee 65: Industrial process measurement, control and automation.

This publication has been drafted in accordance with the ISO/IEC Directives, Part 2.

A list of all parts of the IEC 61784-3 series, published under the general title *Industrial communication networks – Profiles – Functional safety fieldbuses*, can be found on the IEC website.

The committee has decided that the contents of the base publication and its amendments will remain unchanged until the stability date indicated on the IEC web site under "<http://webstore.iec.ch>" in the data related to the specific publication. At this date, the publication will be

- reconfirmed,
- withdrawn,
- replaced by a revised edition, or
- amended.

**IMPORTANT – The 'colour inside' logo on the cover page of this publication indicates that it contains colours which are considered to be useful for the correct understanding of its contents. Users should therefore print this document using a colour printer.**



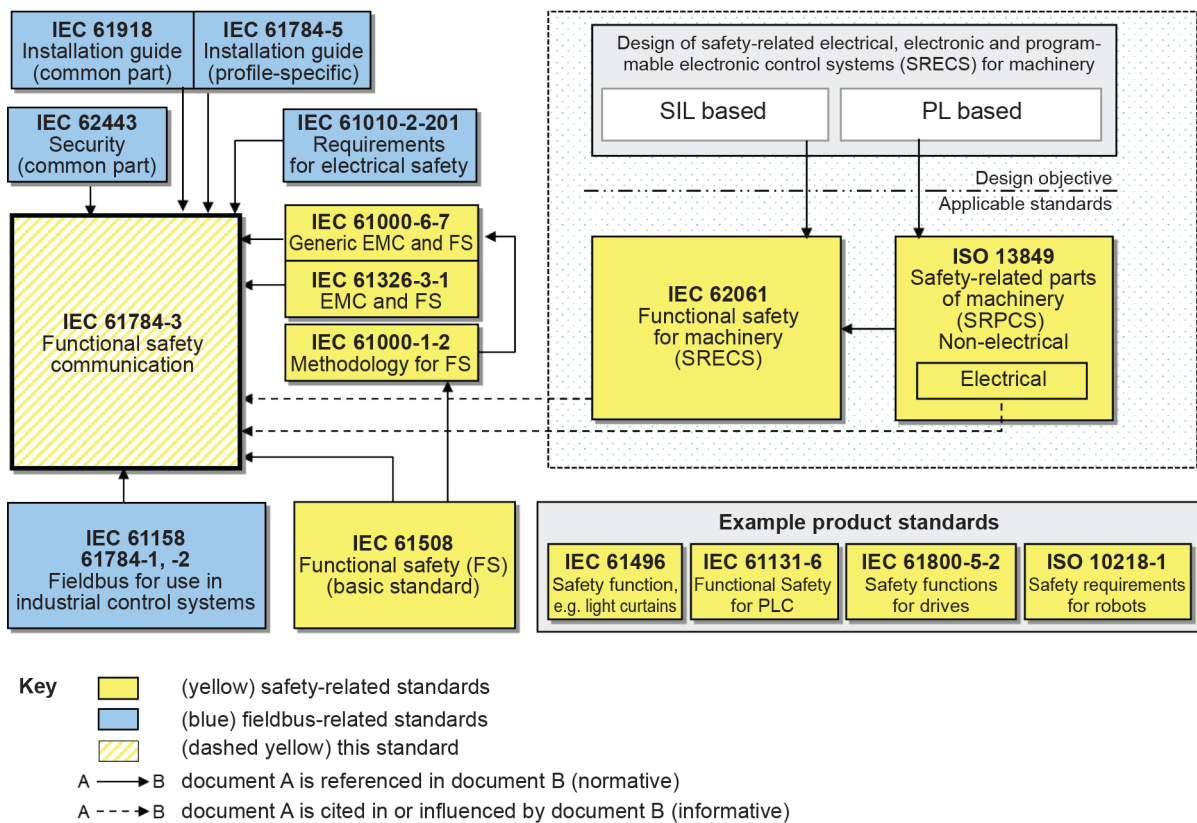
## 0 Introduction

### 0.1 General

The IEC 61158 fieldbus standard together with its companion standards IEC 61784-1 and IEC 61784-2 defines a set of communication protocols that enable distributed control of automation applications. Fieldbus technology is now considered well accepted and well proven. Thus many fieldbus enhancements are emerging, addressing not yet standardized areas such as real time, safety-related and security-related applications.

This standard explains the relevant principles for functional safety communications with reference to IEC 61508 series and specifies several safety communication layers (profiles and corresponding protocols) based on the communication profiles and protocol layers of IEC 61784-1, IEC 61784-2 and the IEC 61158 series. It does not cover electrical safety and intrinsic safety aspects.

Figure 1 shows the relationships between this standard and relevant safety and fieldbus standards in a machinery environment.

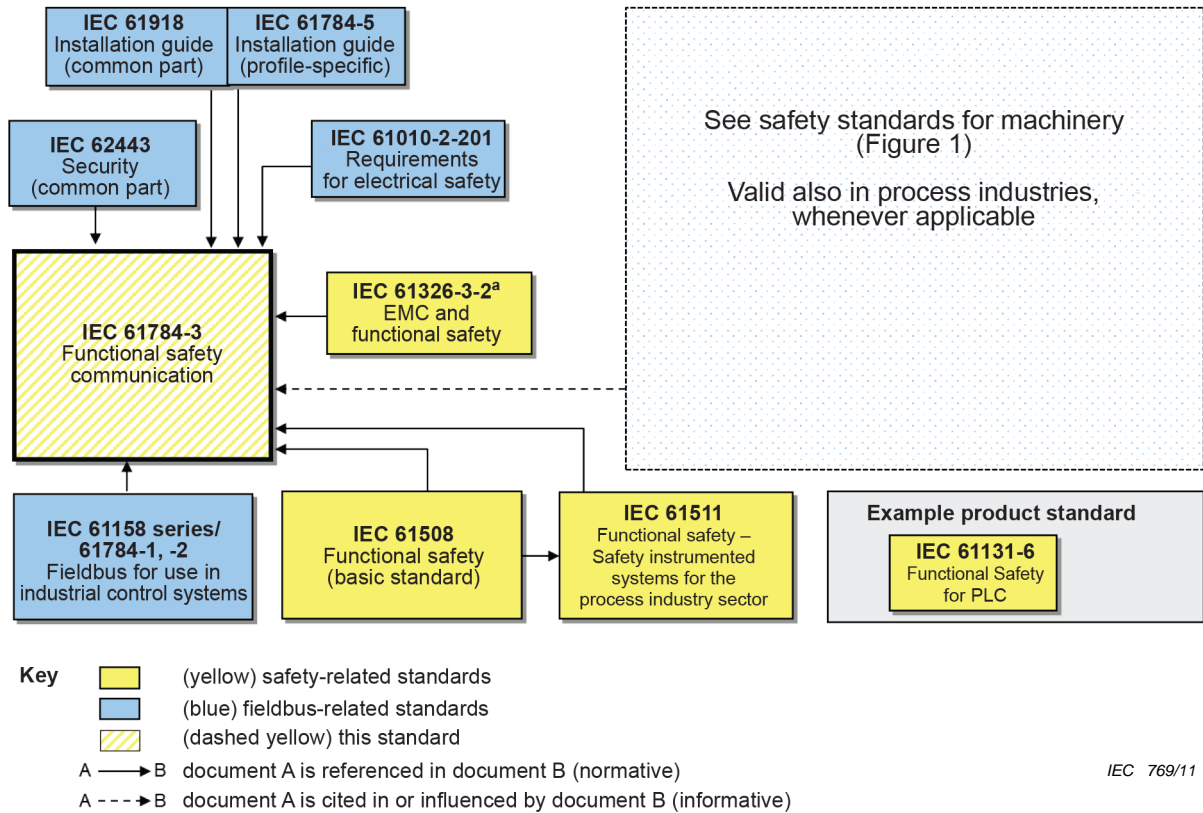


IEC

NOTE IEC 62061 specifies the relationship between PL (Category) and SIL.

**Figure 1 – Relationships of IEC 61784-3 with other standards (machinery)**

Figure 2 shows the relationships between this standard and relevant safety and fieldbus standards in a process environment.



<sup>a</sup> For specified electromagnetic environments; otherwise IEC 61326-3-1 or IEC 61000-6-7.

**Figure 2 – Relationships of IEC 61784-3 with other standards (process)**

Safety communication layers which are implemented as parts of safety-related systems according to IEC 61508 series provide the necessary confidence in the transportation of messages (information) between two or more participants on a fieldbus in a safety-related system, or sufficient confidence of safe behaviour in the event of fieldbus errors or failures.

Safety communication layers specified in this standard do this in such a way that a fieldbus can be used for applications requiring functional safety up to the Safety Integrity Level (SIL) specified by its corresponding functional safety communication profile.

The resulting SIL claim of a system depends on the implementation of the selected functional safety communication profile within this system – implementation of a functional safety communication profile in a standard device is not sufficient to qualify it as a safety device.

This standard describes:

- basic principles for implementing the requirements of IEC 61508 series for safety-related data communications, including possible transmission faults, remedial measures and considerations affecting data integrity;
- individual description of functional safety profiles for several communication profile families in IEC 61784-1 and IEC 61784-2;
- safety layer extensions to the communication service and protocols sections of the IEC 61158 series.

## 0.2 Patent declaration

The International Electrotechnical Commission (IEC) draws attention to the fact that it is claimed that compliance with this document may involve the use of a patent concerning the functional safety communication profiles for family 18 as follows, where the [xx] notation indicates the holder of the patent right:

DE 10 2008 007 672.4-31 [PI] Verfahren und Vorrichtung zum Übertragen von Daten in einem Netzwerk

IEC takes no position concerning the evidence, validity and scope of this patent right.

The holder of this patent right has assured the IEC that he/she is willing to negotiate licences either free of charge or under reasonable and non-discriminatory terms and conditions with applicants throughout the world. In this respect, the statement of the holder of this patent right is registered with IEC. Information may be obtained from:

Information may be obtained from:

[PI] Pilz GmbH & Co. KG  
Felix-Wankel-Str. 2  
73760 Ostfildern  
GERMANY

Attention is drawn to the possibility that some of the elements of this document may be the subject of patent rights other than those identified above. IEC shall not be held responsible for identifying any or all such patent rights.

ISO ([www.iso.org/patents](http://www.iso.org/patents)) and IEC ([http://www.iec.ch/tctools/patent\\_decl.htm](http://www.iec.ch/tctools/patent_decl.htm)) maintain on-line data bases of patents relevant to their standards. Users are encouraged to consult the data bases for the most up to date information concerning patents.

## INTRODUCTION to Amendment 2

This Amendment 2 introduces several editorial and informational corrections in the context of Edition 4 of IEC 61784-3.

## INDUSTRIAL COMMUNICATION NETWORKS – PROFILES

### Part 3-18: Functional safety fieldbuses – Additional specifications for CPF 18

#### 1 Scope

This part of the IEC 61784-3 series specifies a safety communication layer (services and protocol) based on CPF 18 of IEC 61784-2 and IEC 61158 Type 22. It identifies the principles for functional safety communications defined in IEC 61784-3 that are relevant for this safety communication layer.

NOTE 1 It does not cover electrical safety and intrinsic safety aspects. Electrical safety relates to hazards such as electrical shock. Intrinsic safety relates to hazards associated with potentially explosive atmospheres.

This part<sup>1</sup> defines mechanisms for the transmission of safety-relevant messages among participants within a distributed network using fieldbus technology in accordance with the requirements of IEC 61508 series<sup>2</sup> for functional safety. These mechanisms may be used in various industrial applications such as process control, manufacturing automation and machinery.

This part provides guidelines for both developers and assessors of compliant devices and systems.

NOTE 2 The resulting SIL claim of a system depends on the implementation of the selected functional safety communication profile within this system – implementation of a functional safety communication profile according to this part in a standard device is not sufficient to qualify it as a safety device.

#### 2 Normative references

The following referenced documents are indispensable for the application of this document. For dated references, only the edition cited applies. For undated references, the latest edition of the referenced document (including any amendments) applies.

IEC 61158-3-22, *Industrial communication networks – Fieldbus specifications – Part 3-22: Data-link layer service definition – Type 22 elements*

IEC 61158-4-22, *Industrial communication networks – Fieldbus specifications – Part 4-22: Data-link layer protocol specification – Type 22 elements*

IEC 61158-5-22, *Industrial communication networks – Fieldbus specifications – Part 5-22: Application layer service definition – Type 22 elements*

IEC 61158-6-22, *Industrial communication networks – Fieldbus specifications – Part 6-22: Application layer protocol specification – Type 22 elements*

IEC 61508 (all parts), *Functional safety of electrical/electronic/programmable electronic safety-related systems*

---

<sup>1</sup> In the following pages of this standard, “this part” will be used for “this part of the IEC 61784-3 series”.

<sup>2</sup> In the following pages of this standard, “IEC 61508” will be used for “IEC 61508 series”.

IEC 61508-2:2010, *Functional safety of electrical/electronic/programmable electronic safety-related systems – Part 2: Requirements for electrical/electronic/programmable electronic safety-related systems*

IEC 61784-2:2010, *Industrial communication networks – Profiles – Part 2: Additional fieldbus profiles for real-time networks based on ISO/IEC 8802-3*

IEC 61784-3:2010, *Industrial communication networks – Profiles – Part 3: Functional safety fieldbuses – General rules and profile definitions*

IEC 61918, *Industrial communication networks – Installation of communication networks in industrial premises*

ISO/IEC 10731, *Information technology – Open system interconnection – Basic reference model – Conventions for the definition of OSI services*

## SOMMAIRE

AVANT-PROPOS .....	69
0 Introduction .....	71
0.1 Généralités.....	71
0.2 Déclaration de propriété .....	73
INTRODUCTION à l'Amendement 2 .....	73
1 Domaine d'application .....	74
2 Références normatives.....	74
3 Termes, définitions, symboles, abréviations et conventions .....	75
3.1 Termes et définitions .....	75
3.1.1 Termes et définitions communs .....	75
3.1.2 CPF 18: Termes et définitions supplémentaires .....	79
3.2 Symboles et abréviations .....	80
3.2.1 Symboles et abréviations communs.....	80
3.2.2 CPF 18: Symboles et abréviations supplémentaires .....	81
3.3 Conventions .....	82
4 Présentation de FSCP 18/1 (SafetyNET p™).....	83
4.1 Généralités.....	83
4.2 FSCP 18/1 .....	84
5 Généralités.....	85
5.1 Documents externes de spécifications applicables au profil.....	85
5.2 Exigences fonctionnelles de sécurité .....	85
5.3 Mesures de sécurité .....	85
5.4 Structure de la couche de communication de sécurité .....	86
5.5 Relations avec la FAL (et DLL, PhL).....	87
5.5.1 Généralités.....	87
5.5.2 Types de données .....	87
6 Services de la couche de communication de sécurité .....	87
6.1 Eléments généraux.....	87
6.1.1 Généralités.....	87
6.1.2 Dictionnaire d'objets de sécurité .....	87
6.1.3 Objet de données de processus de sécurité (SPDO) .....	87
6.1.4 Cadence (impulsions) de sécurité (SHB) .....	88
6.1.5 Contrôle de retard de sécurité (SDM) .....	88
6.2 Relation de communication .....	88
7 Protocole de couche de communication de sécurité.....	89
7.1 Format PDU de sécurité .....	89
7.1.1 Généralités.....	89
7.1.2 Objets de données de processus de sécurité (SPDO).....	90
7.1.3 Cadence (impulsions) de sécurité (SHB) .....	91
7.1.4 PDU de sécurité intégrées dans un PDU de type 22 .....	94
7.2 Gestion de la couche de communication de sécurité (SALMT).....	94
7.3 Communication de données de processus de sécurité.....	97
7.4 Cadence (impulsions) de sécurité.....	99
7.5 Contrôle de retard .....	100
8 Gestion de la couche de communication de sécurité.....	101

8.1	Traitement des paramètres.....	101
8.2	Dictionnaire d'objets de sécurité.....	102
8.2.1	Généralités.....	102
8.2.2	Section de profil de communication .....	103
8.2.3	Section de profil d'appareil normalisé .....	119
9	Exigences relatives au système.....	119
9.1	Voyants et commutateurs .....	119
9.1.1	Etats des voyants et fréquences de clignotement .....	119
9.1.2	Voyants .....	119
9.1.3	Commutateurs .....	120
9.2	Lignes directrices d'installation.....	120
9.3	Temps de réponse de la fonction de sécurité.....	120
9.3.1	Généralités.....	120
9.3.2	Détermination de la procédure de contrôle de retard FSCP 18/1.....	121
9.3.3	Calcul du temps de réponse de la fonction de sécurité le plus défavorable .....	121
9.4	Durée des demandes .....	122
9.5	Contraintes liées au calcul des caractéristiques du système.....	122
9.5.1	Contraintes relatives à la sécurité.....	122
9.6	Maintenance.....	123
9.7	Manuel de sécurité .....	123
10	Evaluation .....	123
Annex A (informative) Informations supplémentaires pour les profils de communication de sécurité fonctionnelle de protocole CPF 18 .....		
A.1	Calcul de la fonction de hachage.....	125
A.2	Vide .....	128
Annex B (informative) Information pour l'évaluation des profils de communication de sécurité fonctionnelle de protocole CPF 18 .....		
Bibliographie.....		
Figure 1	– Relations entre l'IEC 61784-3 et d'autres normes (machines) .....	71
Figure 2	– Relations entre l'IEC 61784-3 et d'autres normes (transformation) .....	72
Figure 3	– Système FSCP 18/1.....	84
Figure 4	– Architecture logicielle du protocole FSCP 18/1.....	86
Figure 5	– Modèle d'interaction SPDO .....	88
Figure 6	– Modèle d'interaction SHB.....	89
Figure 7	– Structure des objets de données de processus de sécurité .....	90
Figure 8	– Structure de demande de cadence (impulsions) de sécurité .....	91
Figure 9	– Structure de réponse de cadence (impulsions) de sécurité.....	92
Figure 10	– PDU de sécurité pour le protocole FSCP 18/1 intégrée dans une section de données CDC de type 22 .....	94
Figure 11	– Diagramme d'états SALMT .....	95
Figure 12	– Diagramme d'états RxSPDO .....	98
Figure 13	– Procédure de cadence (impulsions).....	100
Figure 14	– Principe de mesure du retard .....	100
Figure 15	– Traitement des paramètres .....	102
Figure 16	– Composantes du temps de réponse de la fonction de sécurité .....	120

Figure 17 – Champs de données pris en compte pour le calcul de la taille des messages ..... 123

Tableau 1 – Définition des objets ..... 83

Tableau 2 – Définition des éléments PDU de sécurité ..... 83

Tableau 3 – Erreurs de communication et mesures de détection ..... 86

Tableau 4 – Structure du PDU du SPDO ..... 90

Tableau 5 – Structure du PDU de demande SHB ..... 92

Tableau 6 – Structure du PDU de réponse SHB ..... 93

Tableau 7 – Codage de l'état de la couche de communication de sécurité SHB ..... 93

Tableau 8 – Commandes SALMT ..... 95

Tableau 9 – Etats du diagramme d'états SALMT ..... 96

Tableau 10 – Transitions du diagramme d'états SALMT ..... 96

Tableau 11 – Etats du diagramme d'états RxSPDO ..... 98

Tableau 12 – Transitions du diagramme d'état RxSPDO ..... 98

Tableau 13 – Temporisations ..... 99

Tableau 14 – Structure du dictionnaire d'objets de sécurité ..... 102

Tableau 15 – Objets de la section de communication ..... 103

Tableau 16 – Type d'appareil ..... 104

Tableau 17 – Indicatif de sécurité ..... 105

Tableau 18 – Entrée de cadence (impulsions) d'un consommateur de sécurité ..... 105

Tableau 19 – Cadence (impulsions) du consommateur de sécurité ..... 107

Tableau 20 – Paramètre de cadence (impulsions) du producteur de sécurité ..... 108

Tableau 21 – Durées de cycle des bus de sécurité ..... 110

Tableau 22 – Tolérance de temporisation SPDO ..... 111

Tableau 23 – Paramètre de communication SPDO de réception ..... 112

Tableau 24 – Paramètre de communication SPDO de transmission ..... 115

Tableau 25 – Format de mise en correspondance ..... 117

Tableau 26 – Paramètre de mise en correspondance SPDO de réception ..... 118

Tableau 27 – Paramètre de mise en correspondance SPDO de transmission ..... 118

Tableau 28 – Définition des états des voyants ..... 119

Tableau 29 – Etats du voyant STATUS ..... 120

Tableau A.1 – Probabilités d'erreurs résiduelles pour le polynôme CRC32  
0x120044009 ..... 125



## COMMISSION ÉLECTROTECHNIQUE INTERNATIONALE

---

### RÉSEAUX DE COMMUNICATION INDUSTRIELS – PROFILS

#### Partie 3-18: Bus de terrain de sécurité fonctionnelle – Spécifications supplémentaires pour le CPF 18

#### AVANT-PROPOS

- 1) La Commission Electrotechnique Internationale (IEC) est une organisation mondiale de normalisation composée de l'ensemble des comités électrotechniques nationaux (Comités nationaux de l'IEC). L'IEC a pour objet de favoriser la coopération internationale pour toutes les questions de normalisation dans les domaines de l'électricité et de l'électronique. A cet effet, l'IEC – entre autres activités – publie des Normes internationales, des Spécifications techniques, des Rapports techniques, des Spécifications accessibles au public (PAS) et des Guides (ci-après dénommés "Publication(s) de l'IEC"). Leur élaboration est confiée à des comités d'études, aux travaux desquels tout Comité national intéressé par le sujet traité peut participer. Les organisations internationales, gouvernementales et non gouvernementales, en liaison avec l'IEC, participent également aux travaux. L'IEC collabore étroitement avec l'Organisation Internationale de Normalisation (ISO), selon des conditions fixées par accord entre les deux organisations.
- 2) Les décisions ou accords officiels de l'IEC concernant les questions techniques représentent, dans la mesure du possible, un accord international sur les sujets étudiés, étant donné que les Comités nationaux de l'IEC intéressés sont représentés dans chaque comité d'études.
- 3) Les Publications de l'IEC se présentent sous la forme de recommandations internationales et sont agréées comme telles par les Comités nationaux de l'IEC. Tous les efforts raisonnables sont entrepris afin que l'IEC s'assure de l'exactitude du contenu technique de ses publications; l'IEC ne peut pas être tenue responsable de l'éventuelle mauvaise utilisation ou interprétation qui en est faite par un quelconque utilisateur final.
- 4) Dans le but d'encourager l'uniformité internationale, les Comités nationaux de l'IEC s'engagent, dans toute la mesure possible, à appliquer de façon transparente les Publications de l'IEC dans leurs publications nationales et régionales. Toutes divergences entre toutes Publications de l'IEC et toutes publications nationales ou régionales correspondantes doivent être indiquées en termes clairs dans ces dernières.
- 5) L'IEC elle-même ne fournit aucune attestation de conformité. Des organismes de certification indépendants fournissent des services d'évaluation de conformité et, dans certains secteurs, accèdent aux marques de conformité de l'IEC. L'IEC n'est responsable d'aucun des services effectués par les organismes de certification indépendants.
- 6) Tous les utilisateurs doivent s'assurer qu'ils sont en possession de la dernière édition de cette publication.
- 7) Aucune responsabilité ne doit être imputée à l'IEC, à ses administrateurs, employés, auxiliaires ou mandataires, y compris ses experts particuliers et les membres de ses comités d'études et des Comités nationaux de l'IEC, pour tout préjudice causé en cas de dommages corporels et matériels, ou de tout autre dommage de quelque nature que ce soit, directe ou indirecte, ou pour supporter les coûts (y compris les frais de justice) et les dépenses découlant de la publication ou de l'utilisation de cette Publication de l'IEC ou de toute autre Publication de l'IEC, ou au crédit qui lui est accordé.
- 8) L'attention est attirée sur les références normatives citées dans cette publication. L'utilisation de publications référencées est obligatoire pour une application correcte de la présente publication.

**Cette version consolidée de la Norme IEC officielle et de ses amendements a été préparée pour la commodité de l'utilisateur.**

**L'IEC 61784-3-18 édition 1.2 contient la première édition 2011-04) [documents 65C/639/FDIS et 65C/649/RVD], son amendement 1 (2016-07) [documents 65C/851/FDIS et 65C/854/RVD] et son amendement 2 (2021-04) [documents 65C/1083/FDIS et 65C/1087/RVD].**

**Cette version Finale ne montre pas les modifications apportées au contenu technique par les amendements 1 et 2. Une version Redline montrant toutes les modifications est disponible dans cette publication.**

La Norme internationale IEC 61784-3-18 a été établie par le sous-comité 65C: Réseaux de communication industriels, du comité d'études 65 de l'IEC: Mesure, commande et automation dans les processus industriels.

Cette publication a été rédigée selon les Directives ISO/IEC, Partie 2.

Une liste de toutes les parties de la série IEC 61784-3, publiée sous le titre général *Réseaux de communication industriels – Profils – Bus de terrain de sécurité fonctionnelle*, est disponible sur le site Web de l'IEC.

Le comité a décidé que le contenu de la publication de base et de ses amendements ne sera pas modifié avant la date de stabilité indiquée sur le site web de l'IEC sous "<http://webstore.iec.ch>" dans les données relatives à la publication recherchée. A cette date, la publication sera

- reconduite,
- supprimée,
- remplacée par une édition révisée, ou
- amendée.

**IMPORTANT – Le logo "*colour inside*" qui se trouve sur la page de couverture de cette publication indique qu'elle contient des couleurs qui sont considérées comme utiles à une bonne compréhension de son contenu. Les utilisateurs devraient, par conséquent, imprimer cette publication en utilisant une imprimante couleur.**

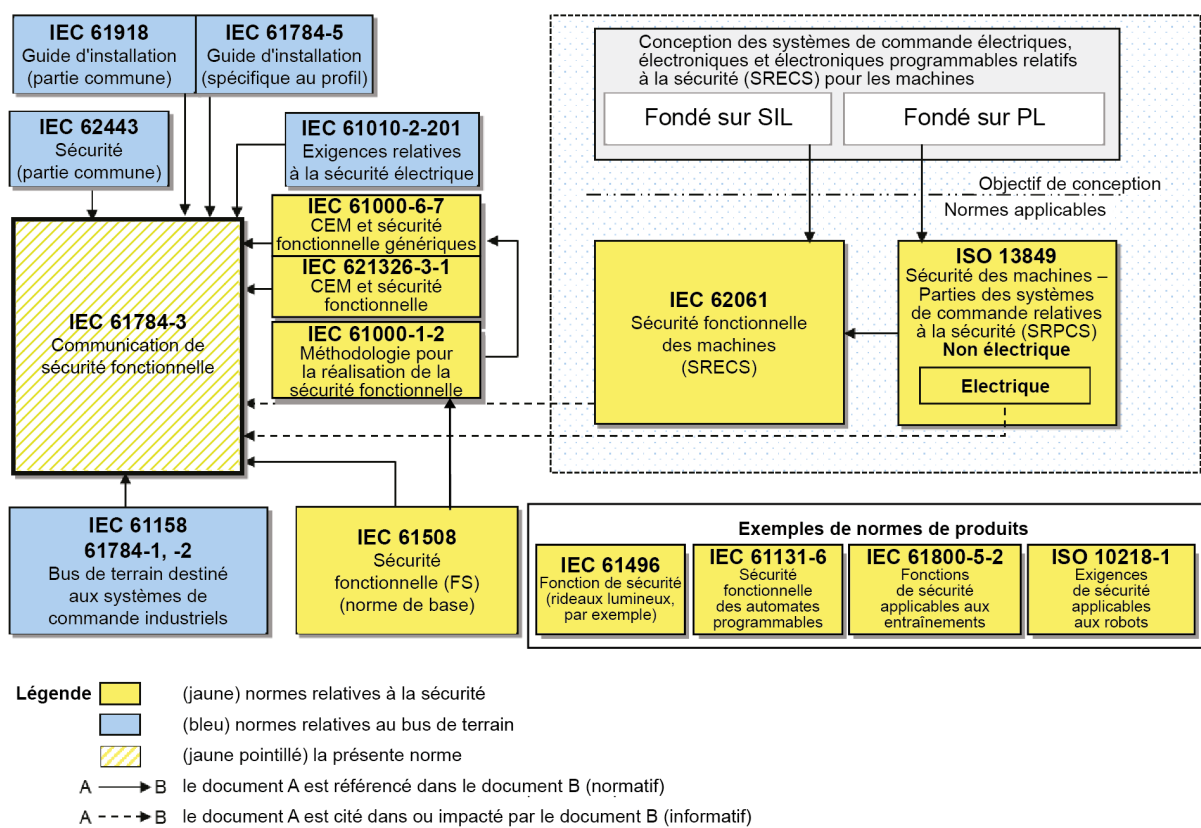
## 0 Introduction

### 0.1 Généralités

La norme IEC 61158 relative aux bus de terrain, ainsi que ses normes associées IEC 61784-1 et IEC 61784-2, définissent un ensemble de protocoles de communication qui assurent la commande répartie d'applications automatisées. La technologie de bus de terrain est désormais reconnue et bien éprouvée. Ainsi de nombreuses améliorations des bus de terrain se développent pour traiter de domaines non encore normalisés tels que les applications en temps réel relatives à la sécurité et à la sûreté.

La présente norme définit les principes pertinents applicables aux communications en termes de sécurité fonctionnelle en référence à la série IEC 61508, et spécifie plusieurs couches de communication de sécurité (profils et protocoles correspondants) basés sur les profils de communication et les couches de protocoles de l'IEC 61784-1, l'IEC 61784-2 et la série IEC 61158. Elle ne couvre pas les aspects relatifs à la sécurité électrique et à la sécurité intrinsèque.

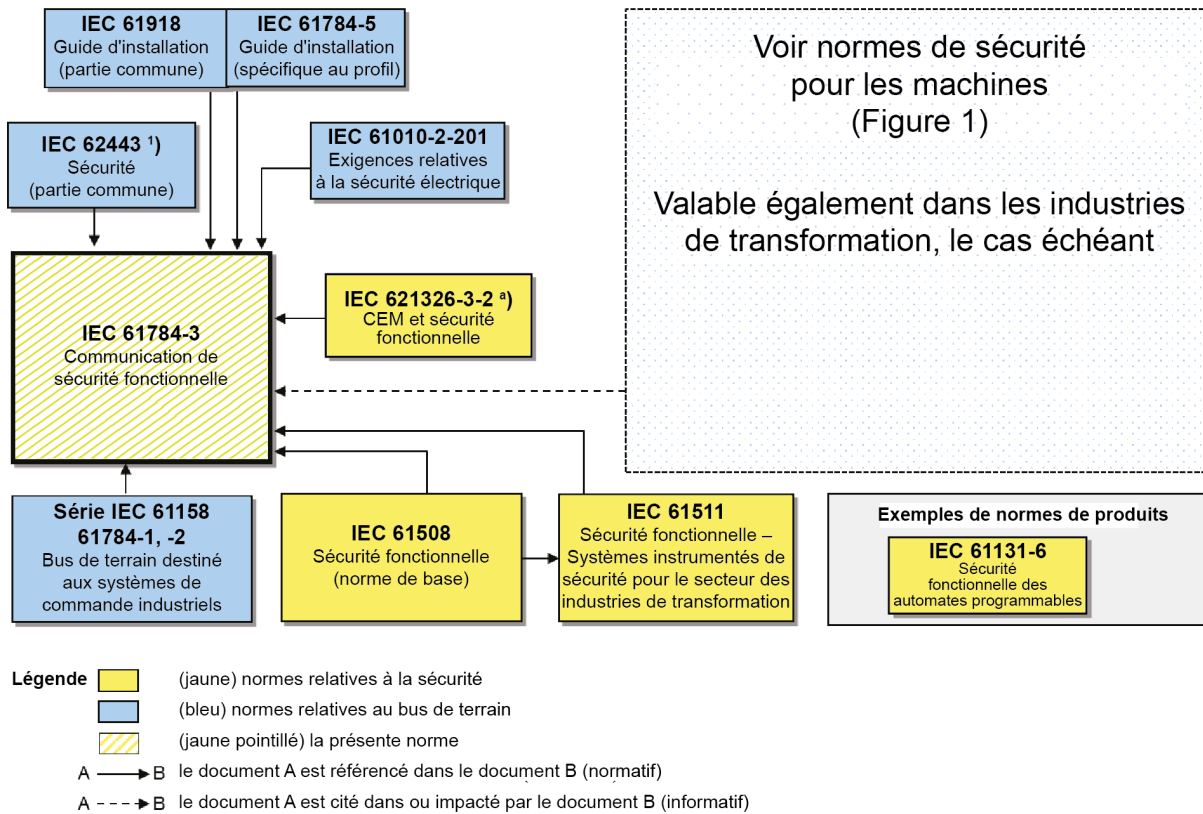
La Figure 1 illustre les relations entre la présente norme et les normes pertinentes relatives à la sécurité et au bus de terrain dans un environnement de machines.



NOTE L'IEC 62061 spécifie la relation entre PL (Catégorie) et SIL.

**Figure 1 – Relations entre l'IEC 61784-3 et d'autres normes (machines)**

La Figure 2 illustre les relations entre la présente norme et les normes pertinentes relatives à la sécurité et au bus de terrain dans un environnement de transformation.



IEC

<sup>a</sup> Pour les environnements électromagnétiques spécifiés, sinon IEC 61326-3-1 ou l'IEC 61000-6-7 s'applique.

**Figure 2 – Relations entre l'IEC 61784-3 et d'autres normes (transformation)**

Les couches de communication de sécurité mises en œuvre dans le cadre de systèmes relatifs à la sécurité conformément à la série IEC 61508, assurent la confiance nécessaire à accorder à la transmission de messages (information) entre deux participants ou plus sur un bus de terrain dans un système relatif à la sécurité, ou une fiabilité suffisante dans le comportement de sécurité en cas d'erreurs ou de défaillances du bus de terrain.

Les couches de communication de sécurité spécifiées dans la présente norme permettent de garantir cette assurance en utilisant un bus de terrain dans des applications nécessitant une sécurité fonctionnelle jusqu'au niveau d'intégrité de sécurité (SIL) spécifié par son profil de communication de sécurité fonctionnelle correspondant.

La revendication du SIL qui en résulte pour un système dépend de la mise en œuvre du profil de communication de sécurité fonctionnelle retenu au sein du système – la mise en œuvre du profil de communication de sécurité fonctionnelle dans un appareil normal ne suffit pas à le qualifier d'appareil de sécurité.

La présente norme décrit:

- les principes de base de mise en œuvre des exigences de la série IEC 61508 pour les communications de données relatives à la sécurité, y compris les défauts de transmission potentiels, les mesures correctives et les considérations concernant l'intégrité des données;
- la description individuelle des profils de sécurité fonctionnelle pour plusieurs familles de profils de communication dans les IEC 61784-1 et IEC 61784-2;

- les extensions de la couche de sécurité aux sections relatives au service et aux protocoles de communication de la série IEC 61158.

## 0.2 Déclaration de propriété

La Commission Electrotechnique Internationale (IEC) attire l'attention sur le fait qu'il est déclaré que la conformité avec les dispositions du présent document peut impliquer l'utilisation de brevets concernant les profils de communication de sécurité fonctionnelle pour la famille 18 comme suit, où la notation [xx] désigne le détenteur des droits de propriété:

DE 10 2008 007 672.4-31 [PI] Verfahren und Vorrichtung zum Übertragen von Daten in einem Netzwerk

L'IEC ne prend pas position quant à la preuve, la validité et la portée de ces droits de propriété.

Le détenteur de ces droits de propriété a donné l'assurance à l'IEC qu'il consent à négocier des licences avec des demandeurs du monde entier, soit sans frais soit à des termes conditions raisonnables et non discriminatoires. A ce propos, la déclaration du détenteur des droits de propriété est enregistrée à l'IEC.

Des informations peuvent être obtenues auprès de:

[PI] Pilz GmbH & Co. KG  
Felix-Wankel-Str. 2  
73760 Ostfildern  
ALLEMAGNE

L'attention est d'autre part attirée sur le fait que certains des éléments du présent document peuvent faire l'objet de droits de propriété autres que ceux mentionnés ci-dessus. L'IEC ne saurait être tenue pour responsable de l'identification de ces droits de propriété en tout ou en partie.

L'ISO ([www.iso.org/patents](http://www.iso.org/patents)) et l'IEC ([http://www.iec.ch/tctools/patent\\_decl.htm](http://www.iec.ch/tctools/patent_decl.htm)) maintiennent des bases des données, consultables en ligne, des droits de propriété pertinents à leurs normes. Les utilisateurs sont encouragés à consulter ces bases de données pour obtenir l'information la plus récente concernant les droits de propriété.

## INTRODUCTION à l'Amendement 2

Le présent Amendement 2 introduit plusieurs corrections rédactionnelles et informatives dans le cadre de l'édition 4 de l'IEC 61784-3.

## RÉSEAUX DE COMMUNICATION INDUSTRIELS – PROFILS

### Partie 3-18: Bus de terrain de sécurité fonctionnelle – Spécifications supplémentaires pour le CPF 18

#### 1 Domaine d'application

La présente partie de la série IEC 61784-3 spécifie une couche de communication relative à la sécurité (services et protocole) fondée sur le CPF 18 de l'IEC 61784-2 et le type 22 de l'IEC 61158. Elle identifie les principes applicables aux communications de sécurité fonctionnelle définies dans l'IEC 61784-3, et appropriés à cette couche de communication de sécurité.

NOTE 1 Elle ne couvre pas les aspects relatifs à la sécurité électrique et à la sécurité intrinsèque. La sécurité électrique concerne les dangers tels que les chocs électriques. La sécurité intrinsèque concerne les dangers associés aux atmosphères explosibles.

La présente partie<sup>1</sup> définit les mécanismes de transmission des messages propres à la sécurité entre les participants d'un réseau réparti, en utilisant la technologie de bus de terrain conformément aux exigences de la série IEC 61508<sup>2</sup> concernant la sécurité fonctionnelle. Ces mécanismes peuvent être utilisés dans diverses applications industrielles, telles que la commande de processus, l'usinage automatique et les machines.

La présente partie fournit des lignes directrices tant pour les développeurs que pour les évaluateurs d'appareils et systèmes conformes.

NOTE 2 La revendication du SIL qui résulte pour un système dépend de la mise en œuvre du profil de communication de sécurité fonctionnelle retenu au sein du système – la mise en œuvre du profil de communication de sécurité fonctionnelle, conforme à la présente partie, dans un appareil normal ne suffit pas à le qualifier de appareil de sécurité.

#### 2 Références normatives

Les documents de référence suivants sont indispensables pour l'application du présent document. Pour les références datées, seule l'édition citée s'applique. Pour les références non datées, la dernière édition du document de référence s'applique (y compris les éventuels amendements).

IEC 61158-3-22, *Industrial communication networks – Fieldbus specifications – Part 3-22: Data-link layer service definition – Type 22 elements* (disponible uniquement en anglais)

IEC 61158-4-22, *Industrial communication networks – Fieldbus specifications – Part 4-22: Data-link layer protocol specification – Type 22 elements* (disponible uniquement en anglais)

IEC 61158-5-22, *Industrial communication networks – Fieldbus specifications – Part 5-22: Application layer service definition – Type 22 elements* (disponible uniquement en anglais)

---

<sup>1</sup> Dans les pages suivantes de la présente norme, "la présente partie" se substitue à "cette partie de la série IEC 61784-3".

<sup>2</sup> Dans les pages suivantes de la présente norme, "IEC 61508" se substitue à "série IEC 61508".

IEC 61158-6-22, *Industrial communication networks – Fieldbus specifications – Part 6-22: Application layer protocol specification – Type 22 elements* (disponible uniquement en anglais)

IEC 61508 (toutes parties), *Sécurité fonctionnelle des systèmes électriques/électroniques/électroniques programmables relatifs à la sécurité*

IEC 61508-2:2010, *Sécurité fonctionnelle des systèmes électriques/électroniques/électroniques programmables relatifs à la sécurité – Partie 2: Exigences pour les systèmes électriques/électroniques/électroniques programmables relatifs à la sécurité*

IEC 61784-2:2010, *Industrial communication networks – Profiles – Part 2: Additional fieldbus profiles for real-time networks based on ISO/IEC 8802-3* (disponible uniquement en anglais)

IEC 61784-3:2010, *Industrial communication networks – Profiles – Part 3: Functional safety fieldbuses – General rules and profile definitions* (disponible uniquement en anglais)

IEC 61918, *Industrial communication networks – Installation of communication networks in industrial premises* (disponible uniquement en anglais)

ISO/IEC 10731, *Technologies de l'information – Interconnexion de systèmes ouverts – Modèle de référence de base – Conventions pour la définition des services OSI*